

CONTINENTAL ENGINES

Models C75, C85, C90 and O-200

ILLUSTRATED PARTS CATALOG

TABLE OF CONTENTS

- 1. INTRODUCTION**
- 2. GROUP ASSEMBLY PARTS LIST**
- 3. OVERSIZE AND UNDERSIZE PARTS LIST**
- 4. REPAIR PARTS SETS AND MATERIALS**
- 5. NUMERICAL PARTS LIST**
- 6. CUSTOMERS SPECIFICATIONS**
- 7. O200-B BASIC AND
CUSTOMERS SPECIFICATIONS**

TOOLBAR HELP

**OPEN/CLOSE
BOOKMARKS**

TOOLBAR HELP



The **Print** button allows you to print any specific page(s).



The **Show/Hide Navigation Pane** button opens or closes the lefthand column of bookmarks or thumbnails. Click on this button and the Actual Size or Fit Width button to enlarge text for reading.



The **Hand** tool enables you to move a single document page on the screen when the page does not fit within the main window. Drag the hand tool in the direction you want to move the page. A pointing hand indicates a hyperlink is present at that location.



The **Zoom** tool magnifies and reduces the page display. The “+” zooms in. To view the “-” and zoom out, choose the Zoom tool and hold down the Ctrl key. Click on the hand tool and the Actual Size button to exit and resize the page.



The **First Page** button moves the document to the first page.



Previous Page – moves you back one page in the document.



Next Page – moves you forward one page in the document.



The **Last Page** button moves the document to the last page.



The **Go Back** and **Go Forward** buttons retrace your steps through a document, moving to each view in the order visited.



The **Actual Size** button displays the page at 100%.



The **Fit Page** button scales the page to fit within the window.



The **Fit Width** button scales the page to fill the width of the window.

The lower toolbar (shown below) provides some of the same functions but provides some additional information. The page number matches the page number printed on the current document page (12-1). The zoom level is also shown (100%). The down arrow button to the right of the zoom level allows for zoom adjustment. The double arrow button on the far left will open/close the navigation pane. The buttons on both sides of the page number provide the same paging functions as the upper toolbar paging buttons.



For additional help, click on the **Help** command on the right side of the top command line. Click on the **Go Back** button to return to the manual.

ILLUSTRATED PARTS CATALOG

for

C-75, C-85, C-90 & O-200

AIRCRAFT ENGINES

TABLE OF CONTENTS

STATUS OF PAGES	iii
SECTION I	
INTRODUCTION	1-1
LIST OF ABBREVIATIONS	1-2
USABLE ON CODE	1-2
ACCESSORY MANUFACTURERS	1-3
SECTION II	
Figure 1 - Crankcase Studding Assembly	2-2
Figure 2 - Crankcase Attaching Parts	2-4
Figure 3 - Crankcase Associated Parts	2-6
Figure 4 - Crankshaft Assembly - Tapered	2-8
Figure 5 - Crankshaft Assembly - Flanged	2-9
Figure 6 - Connecting Rod Assembly	2-10
Figure 7 - Piston Assembly	2-10
Figure 8 - Camshaft Assembly, Lifters and Pushrods	2-11
Figure 9 - Cylinder Assembly	2-12
Figure 10 - Crankcase Cover Assembly	2-14
Figure 11 - Crankcase Cover Assembly	2-16
Figure 12 - Carburetor Induction System	2-18
Figure 13 - Starter and Alternator	2-20
Figure 14 - Starter, Generator, Voltage Regulator	2-21
Figure 15 - Scintilla Ignition System (S4LN-21, S4RN-21)	2-23
Figure 16 - Slick Ignition System (Model 447)	2-24
Figure 17 - Oil Cooler Equipment	2-26
Figure 18 - Fuel Pump Equipment	2-26
Figure 19 - Oil Sump Assemblies	2-28
SECTION III	
OVERSIZE AND UNDERSIZE PARTS LIST	3-1
SECTION IV	
REPAIR PARTS SETS AND MATERIALS	4-1
SECTION V	
NUMERICAL PARTS LIST	5-1
SECTION VI	
CUSTOMER SPECIFICATIONS	6-1
SECTION VII	
O-200-B BASIC AND CUSTOMER SPECIFICATIONS	7-1

CURRENT STATUS OF PAGES AS OF _____

APRIL 1979

*THE ORIGINAL DATE OF THIS PUBLICATION IS MARCH 1, 1970
 INSERT LATEST PAGES , DESTROY SUPERSEDED PAGES.*

MODELS C75, C85, C90 & O-200 PARTS CATALOG FORM X-30011A

PAGE	STATUS	PAGE	STATUS	PAGE	STATUS	PAGE
i	APRIL 1979	2-27	APRIL 1979			
ii	APRIL 1979	2-28	APRIL 1979			
iii	APRIL 1979					
iv	BLANK					
		3-1	MARCH 1977			
		3-2	MARCH 1977			
1-1	APRIL 1979					
1-2	MARCH 1977					
1-3	MARCH 1973	4-1	SEPTEMBER 1977			
1-4	BLANK	4-2	BLANK			
		5-1	APRIL 1979			
		5-2	APRIL 1979			
2-1	MARCH 1970	5-3	APRIL 1979			
2-2	MARCH 1970	5-4	APRIL 1979			
2-3	MARCH 1977	5-5	APRIL 1979			
2-4	MARCH 1977	5-6	BLANK			
2-5	MARCH 1977					
2-6	APRIL 1979					
2-7	APRIL 1979					
2-8	MARCH 1977					
2-9	MARCH 1977					
2-10	SEPTEMBER 1977	6-1	MARCH 1977			
2-11	MARCH 1977	6-2	BLANK			
2-12	SEPTEMBER 1977	6-3	MARCH 1977			
2-13	APRIL 1979					
2-14	MARCH 1977					
2-15	MARCH 1977					
2-16	MARCH 1973	7-1	MARCH 1977			
2-17	MARCH 1977	7-2	MARCH 1977			
2-18	MARCH 1977					
2-19	MARCH 1977					
2-20	APRIL 1979					
2-21	MARCH 1977					
2-22	MARCH 1977					
2-23	MARCH 1977					
2-24	MARCH 1970					
2-25	MARCH 1977					
2-26	MARCH 1977					

This page intentionally left blank.

SECTION I

INTRODUCTION

1.1. In line with the Teledyne Continental Motors program of product improvement, this parts catalog is presented in looseleaf form. Changes will be issued as they occur to those pages which are affected only. In this manner the parts catalog will be kept current at all times, with manufacturing and service requirements. All changes to the catalog will be sent to the purchaser upon receipt of the registration card from the front of the catalog.

1-2. Page iii of this publication depicts the current status of pages as of the date listed. Each page in the catalog is also dated. To be current, the date on the page should match the date listed for that page on the Status Page. With each change to the catalog issued, a change to the current Status Page will necessarily be issued.

1-3. In this edition, currently available parts are listed for Models C75, C85, C90 and O-200 engines. If accessories or parts attached to any engine installed in an aircraft manufactured in the United States under production model number do not appear in this catalog, determine whether they are available from the aircraft manufacturer before placing an order with a Teledyne Continental Authorized Distributor.

1-4. Since the first edition was published the Teledyne Continental four cylinder "C" series engines have been expanded several times. This series currently includes the C75, C85 and C90 in the -8, -12, -14 and -16 configuration and the O-200.

All engines in recent years have been produced with a flanged crankshaft, indicated by an "F" following the engine number on the nameplate, i.e., C75-8F. The number 8, 12, 14 or 16 indicates the equipment included on the engine. A -8 has no starter or generator. A -12 is equipped with these two items. A -14 is the same as a -12 plus "Lord" type engine mountings. A -16 has a provision for a vacuum pump, in addition to the foregoing. The O-200 engine incorporates all of these features.

1.5 Section II contains 19 figures, in each of which one of the major assemblies or groups of the engine is illustrated in "exploded" form. Each figure has its own set of index numbers to indicate the sub-parts. The list of parts in the assembly or group appears on the same page with the illustration or on an adjacent page. The first column of each assembly or group list contains the figure number (not repeated on all lines) and, following a dash, the index number of the sub-parts in numerical order. Do not order parts by index number. Use the part number, which appears in the second column. Use the name of the part which appears in the column under the title "Description".

1.6 Do not order any parts listed herein when "No Number" appears on the same line in the part number column, or when "Not Sold", herein abbreviated as "NS" appears in the "Units Per Assy" column. These parts are not suitable for installation without factory equipment, or they are major parts of assemblies and are more economically supplied in the assembled condition, or they are assemblies which would have to be disassembled for installation. To replace any detail part "Not Sold" order the smallest assembly containing the part (listed above, with the name beginning one column to the left). To replace any assembly "Not Sold", order whatever assemblies and detail parts (listed below it, with names indented), that are in need of replacement.

1-7. Quantities of parts, as listed in Section II, are for specific application in one assembly. Total quantities of all parts are listed in Section V. Similar assemblies listed in Section II are combined, and quantities of sub-parts are for one assembly. Application code letters in the last column indicate on which models assemblies and sub-parts are used. Sub-parts have the same code letter as their parent assembly.

1-8. Oversize and Undersize parts are listed in Section III. These parts must be ordered by the numbers listed herein, with correct descriptions, to avoid errors. Corresponding

standard size part numbers in Section II are preceded by a symbol (†) to indicate the availability of the non-standard size. (Refer to the list of abbreviations and symbols.)

1-9. Sets of parts listed in Section IV, are usually wanted in such groups for overhaul work and should be ordered by set part numbers.

1-10. Section V contains a list of part numbers arranged in numerical order in the first column. If the number of any desired part is known, the name may be located by referring to the figure and index number in Section II, which is listed opposite the number in Section V. Quantities listed are total requirements for one engine.

1-11. Section VI contains a parts listing of customer specifications of the basic engines of the O-200-A. Only the differences between the customer specification and the basic engine are shown.

Only those specifications which were sold in quantities of 25 or more are covered herein.

1-12. Section VII contains a listing of the O-200-B and the most popular customer specifications of that engine. Only the differences between the O-200-B and O-200-A are shown.

LIST OF ABBREVIATIONS AND SYMBOLS

SYMBOL	DEFINITION	SYMBOL	DEFINITION
AR	As required (quantity)	PD	Pitch diameter (of thread)
dia.	Diameter	Qt.	Quart
ID	Inside diameter	Ref.	Reference (or Refer to)
in.	Inches	S.A.E.	Society of Automotive Engrs.
LH	Left hand	Sq.	Square
mm	Millimeter	US	Undersize
NPT	National pipe tap (or thread)	No.	Number
NS	Not sold	†	Oversize parts available
OD	Outside diameter	†	Undersize parts available
Opt.	Optional	* * * *	End of a group of attaching parts
OS	Oversize		
\$	Parts included in a set		

USEABLE ON CODE

C75	A
C85	B
C90	C
O-200	D

ACCESSORY MANUFACTURERS

ACCESSORY	MFG'S NO.	NAME	ADDRESS
Magneto	————— —————	Slick Model 447 Slick Model 4001	Slick Electro Rockford, Illinois
Magneto	10-51360-6 10-51360-1	Scintilla Model S4RN-21 Scintilla Model S4LN-21	Scintilla Division, Bendix Aviation Corporation Sidney, New York
Starter Generator Voltage Regulator	1109656 1101890 1118736	Delco-Remy Delco-Remy Delco-Remy	United Motors Service General Motors Bldg., Detroit, Michigan
Carburetor	—————	Stromberg Model NA-S3A1	Aircraft Technical Service Bendix Products Division, Bendix Aviation Corporation South Bend, Indiana
Carburetor	10-4252 10-4115	Marvel Schebler Model MA-3SPA Marvel Schebler Model MS-84240	Borg-Warner Corporation Flint, Michigan
Alternator	—————	Ford	Ford Motor Co. General Parts Div. Ypsilanti, Michigan
Alternator	—————	Prestolite	The Prestolite Company Division of Eltra Corporation 511 Hamilton Street Toledo, Ohio 43601

This page intentionally left blank.

SECTION II

GROUP ASSEMBLY PARTS LIST

FIGURE 1. CRANKCASE STUDDING ASSEMBLY

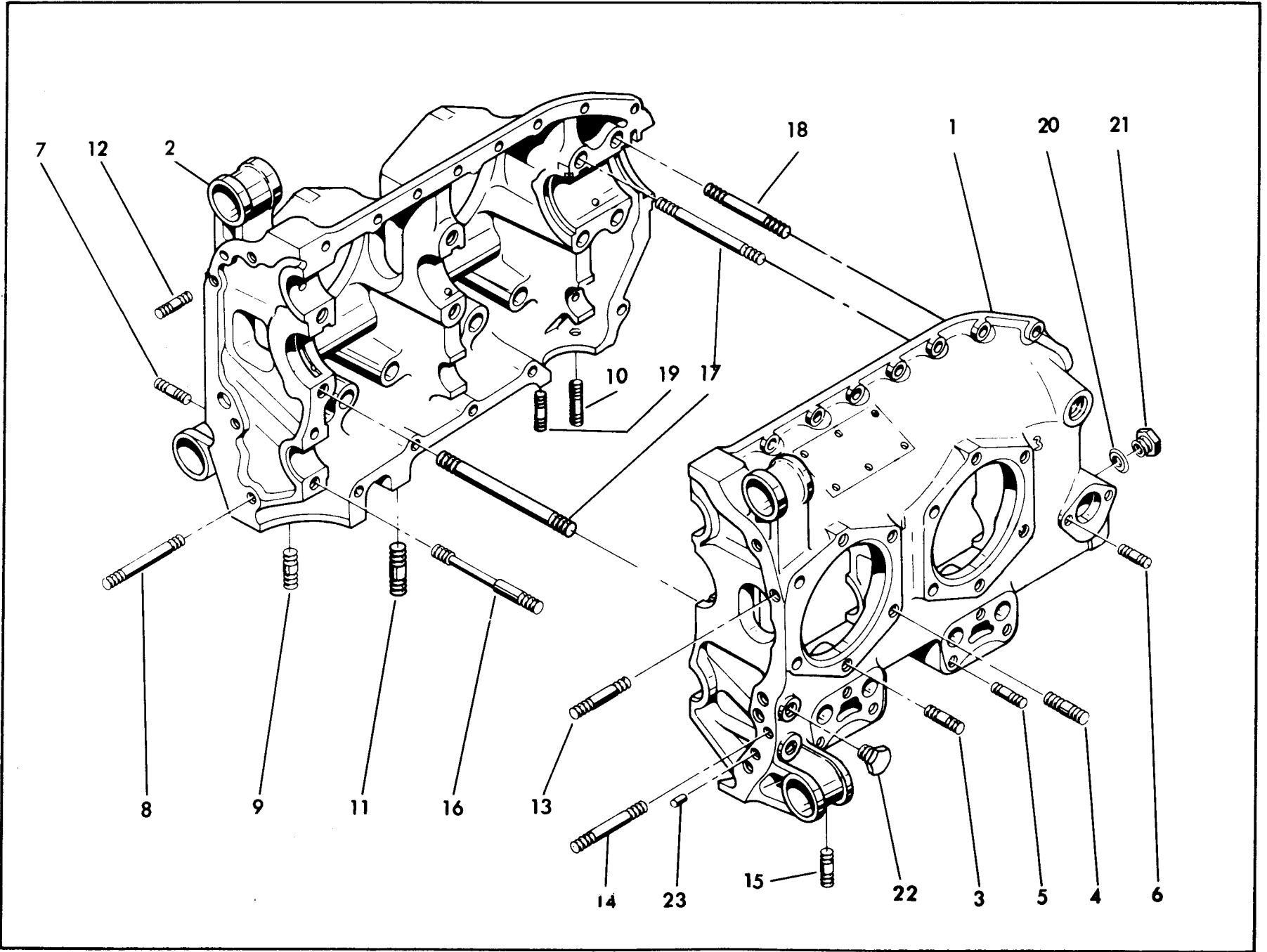


FIG. & INDEX	PART NUMBER	DESCRIPTION	QTY.	USABLE ON CODE
1-	No Number	Crankcase Assembly Complete	NS	ALL
	627359A2	③ . Studding Assembly, Crankcase	1	A
	627358A2	④ . Studding Assembly, Crankcase	1	B
	627360A2	② . Studding Assembly, Crankcase	1	C
	628195A1	① . Studding Assembly, Crankcase	1	C
	627198	. Studding Assembly, Crankcase	1	D
-1	No Number	. . Crankcase, 1 - 3 Side	NS	ALL
-2	No Number	. . Crankcase, 2 - 4 Side	NS	ALL
-3	640017-3	. . Stud, 3/8 x 1-3/8 Inch Long	8	ALL
-4	639418-4	. . Stud, 7/16 x 1-23/32 Inch Long	8	ALL
-5	401804	† . . Stud, 1/4 x 1-1/16 Inch Long	12	ALL
-6	402151	† . . Stud, 5/16 x 1-1/4 Inch Long	2	ABC
-7	401809	† . . Stud, 5/16 x 1-3/8 Inch Long	3	ALL
-8	402048	† . . Stud, 5/16 x 3-11/16 Inch Long	1	AC
-9	401804	† . . Stud, 1/4 x 1-1/16 Inch Long	3	ALL
-10	402151	† 1 . . Stud, 5/16 x 1-1/4 Inch Long	1	CD
-11	401977	† ② . . Stud, 3/8 x 2-1/8 Inch Long	2	AC
-11	20994	† ② . . Stud, 3/8 x 2-1/8 Inch Long	2	BC
-11	402032	† ① . . Stud, 3/8 x 2-11/32 Inch Long	2	C
-11	401954	† . . Stud, 3/8 x 2-1/4 Inch Long	2	D
-12	401809	† ② . . Stud, 5/16 x 1-3/8 Inch Long	10	ABC
-13	402047	† . . Stud, 5/16 x 2-9/16 Inch Long	5	ALL
-14	402049	† . . Stud, 5/16 x 3-3/4 Inch Long	2	BC
-14	402049	† . . Stud, 5/16 x 3-3/4 Inch Long	3	D
-15	401881	† . . Stud, 5/16 x 1-1/8 Inch Long	2	ALL
-15	25030	† ② . . Stud, 5/16 x 1-1/16 Inch Long	2	C
-16	21075	† . . Stud, 3/8 x 5 Inch Long	1	ABC
-16	401874	† . . Stud, 3/8 x 5 Inch Long	1	D
-17	25329	† . . Stud, 7/16 x 6-3/32 Inch Long	4	ALL
-18	25330	† . . Stud, 7/16 x 3-5/8 Inch Long	2	ALL
-19	401870	† ① . . Stud, 1/4 x 1-1/8 Inch Long	3	CD
-20	AN900-10	\$. . Gasket	2	ALL
-21	532432	. . Plug	1	ALL
-22	2024	. . Plug	1	ABC
-22	629518-1	. . Plug	1	D
-23	21080	. . Dowel	2	ALL

NOTE

- ① Used on C90-16F
- ② Used on C90-14F
- ③ Used on -8 Models only
- ④ Used on -12 Models only

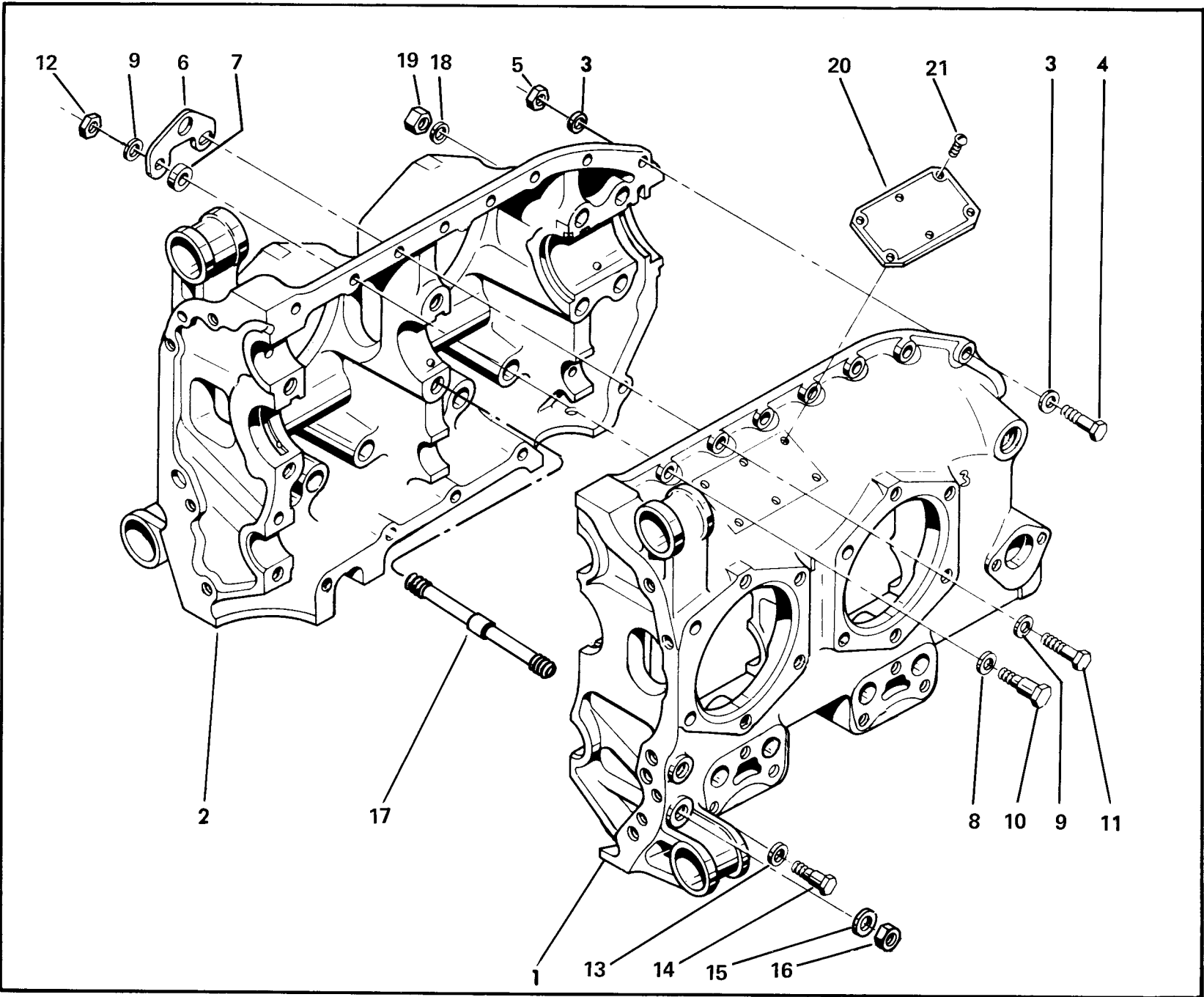


FIGURE 2. CRANKCASE ATTACHING PARTS

FIG. & INDEX	PART NUMBER	DESCRIPTION	QTY.	USABLE ON CODE
2-1	No Number	Crankcase, 1 - 3 Side	NS	ALL
-2	No Number	Crankcase, 2 - 4 Side	NS	ALL
-3	20522	Washer, Plain, 17/64	22	ALL
-4	AN4-11A	Bolt, Hex, 1/4 x 1-5/32 Inch Long	10	ABC
-4	24251	Bolt, 1/4 x 1-1/4 Inch Long	10	D
-5	2437	Nut, 1/4 Plain	12	ALL
-6	24879	Eye, Lifting	1	ALL
ATTACHING PARTS				
-7	25164	Washer, Special	2	ALL
-8	2472	Washer, Plain	1	ALL
-9	20522	Washer, Plain	3	ABC
-9	20522	Washer, Plain	1	D
-10	21218	Screw, 1/4 x 1-1/2 Inch Long	1	ALL
-11	24878	Screw, 1/4 x 1-5/8 Inch Long	1	ALL
-12	2437	Nut, Plain	2	ABC
* * * *				
-13	2472	Washer, Plain	2	ALL
-14	24252	Screw, 1/4 x 1-1/4 Inch Long	2	ALL
-15	401507	Washer, Plain	1	ALL
-16	2441	Nut, Plain	1	ALL
-17	627275	Bolt, Thru, 7/16 x 10-39/64 Inch Long	2	ALL
-18	2475	Washer, Plain	2	ALL
-19	2443	Nut, Plain	2	ALL
-20	634875	* Plate, Engine Identification (C75, C85-8F)	1	
-20	634880	* Plate, Engine Identification (C90-8F)	1	
-20	634876	* Plate, Engine Identification (C75-12, 12F, C85-12, 12F)	1	
-20	634881	* Plate, Engine Identification (C90-12, 12F)	1	
-20	634882	* Plate, Engine Identification (C90-14F)	1	
-20	634883	* Plate, Engine Identification (C90-16F)	1	
-20	634943	* Plate, Engine Identification (O-200)	1	
ATTACHING PARTS				
-21	21007	Screw, Drive	6	ALL

NOTE: Obsolete crankcases which have through studs installed at the center bearing bosses will require Part No. 25329 in lieu of through bolts 627275 if replacement is required. When front end of crankcases are machined to accept 3/8 inch pipe plugs, order Part No. 2025, if replacement plug is required. Also use brass thrust washer P/N 36075 and A36074.

NOTE: * Order in accordance with instruction in Service Bulletin M75-5.

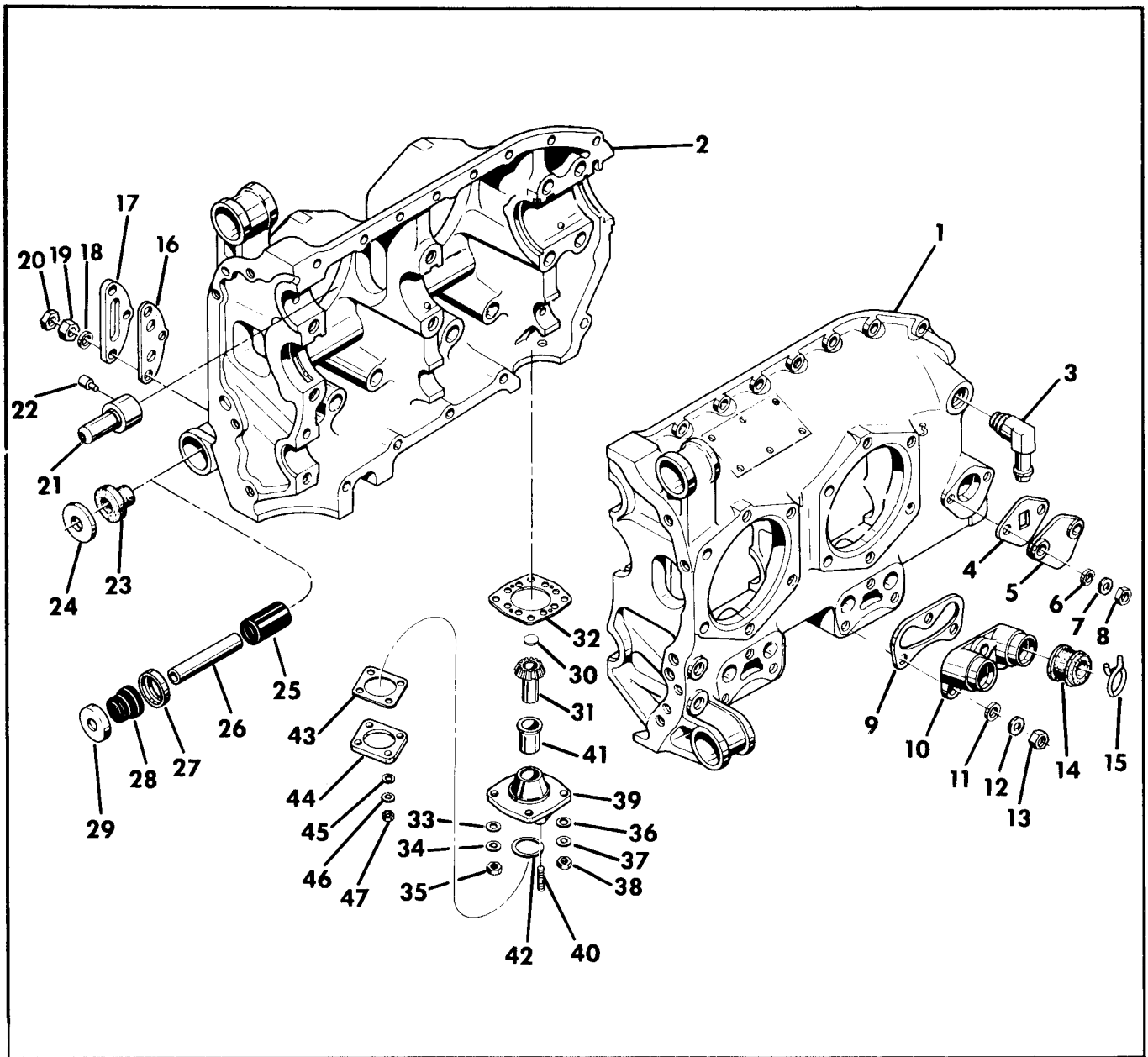


FIGURE 3. CRANKCASE ASSOCIATED PARTS

FIG. & INDEX	PART NUMBER	DESCRIPTION	QTY.	USABLE ON CODE
3- 1	No Number	Crankcase, 1 - 3 Side	NS	ALL
-2	No Number	Crankcase, 2 - 4 Side	NS	ALL
-3	AN842-10	Elbow	1	ALL
-4	530642	\$ Gasket	1	ABC
-5	533965	Cover	1	ABC
ATTACHING PARTS				
-6	2473	Washer, Plain	2	ABC
-7	MS35338-45	Washer, Lock	2	ABC
-8	2439	Nut, Plain	2	ABC

* * * *

FIG. & INDEX	PART NUMBER	DESCRIPTION	QTY.	USABLE ON CODE
-9	530928	\$ Gasket	4	ALL
-10	530163	Flange	4	ALL
ATTACHING PARTS				
-11	20522	Washer, Plain	12	ALL
-12	MS35338-44	Washer, Lock	12	ALL
-13	2437	Nut	12	ALL
-14	539840	\$ Connector	8	ALL
-15	536388-1.25	Clamp	16	ALL
* * * *				
-16	22344	\$ * Gasket, Oil Cooler Pad	1	ALL
-17	35033	* Cover, Oil Cooler Pad	1	ALL
ATTACHING PARTS				
-18	2473	* Washer, Plain	3	A
-19	MS35338-45	* Washer, Lock	3	ALL
-20	2439	* Nut, Plain	3	ALL
* * * *				
-21	23487	† * Pivot, Starter Pinion	1	ALL
-21A	634461	Adapter Assy, Starter Clutch	1	D
-21B	633609-8	. Bearing, Needle	1	D
-22	637832	* Dowel	2	ALL
-23	22387	\$ Bushing	8	ALL
-24	21530	Washer	4	ALL
-25	628555-16	** Hose	4	CD
-26	530627	** Spacer	4	CD
-27	530626	** Seat	8	CD
-28	530740	** Bushing	8	CD
-29	530741	** Washer	8	CD
	625937	Gear Assembly, Vacuum Pump Drive	1	D
-30	X2235	. Plug, Hubbard	1	D
-31	No Number	. Gear, Bevel	1	D
-32	626983	\$ Gasket	1	D
	625935	Adapter Assembly, Vacuum Pump	1	D
ATTACHING PARTS				
-33	20522	Washer, Plain	3	D
-34	MS35338-44	Washer, Lock	3	D
-35	2437	Nut, Plain	3	D
-36	2473	Washer, Plain	1	D
-37	MS35338-45	Washer, Lock	1	D
-38	2439	Nut, Plain	1	D
* * * *				
-39	No Number	. Adapter, Vacuum Pump	NS	D
-40	401963	† . Stud, 1/4 x 1 Inch Long	4	D
-41	534742	. Bushing	1	D
-42	25102	\$. Seal, Oil	1	D
-43	MS9134-01	Gasket	1	D
-44	640380	Cover, Vacuum Pump Pad	1	D
ATTACHING PARTS				
-45	2472	Washer, Plain	4	D
-46	MS35338-44	Washer, Lock	4	D
-47	2437	Nut, Plain	4	D

NOTE (*) Not used on -8, -8F Models

NOTE (**) C90-14F and O-200 only

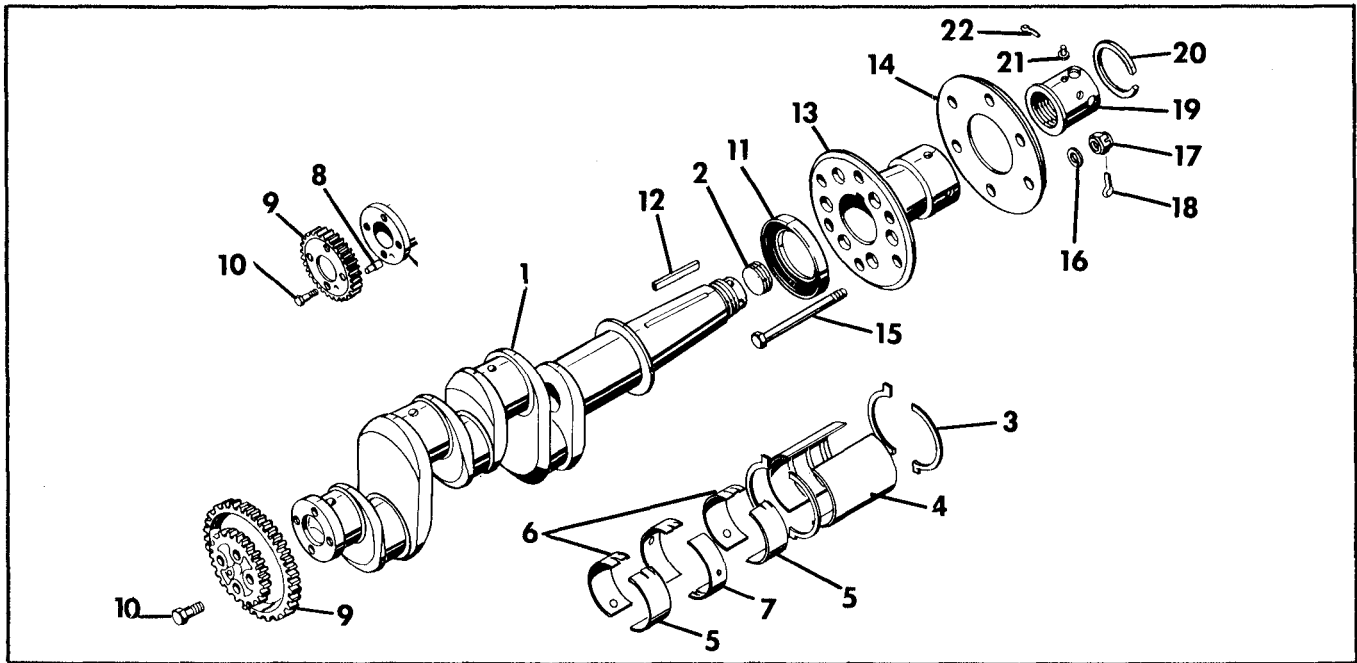


FIGURE 4. CRANKSHAFT ASSEMBLY – TAPERED

FIG. & INDEX	PART NUMBER	DESCRIPTION	QTY.	USABLE ON CODE
4-	No Number	Crankshaft Assembly	NS	AB
	530196A1	. Crankshaft Assembly	1	AB
-1	No Number	. . Crankshaft and Tubes	NS	AB
-2	530398	. . Plug	1	AB
-3	633141	① . Washer, Thrust	4	AB
-4	530058	†① . Bearing, Front	2	AB
-5	633398	†① . Bearing, Main Cylinder 1 & 3	2	AB
-6	633399	†① . Bearing, Main Cylinder 2 & 4	2	AB
-7	35897	† . Bearing, Connecting Rod	8	AB
-8	630651	† Dowel	1	AB
-9	35016	Gear, Cluster, Crankshaft (-12)	1	AB
-9	530641	Gear, Cluster, Crankshaft (-8)	1	AB
ATTACHING PARTS				
-10	21346	Screw	4	AB
-10	22532	Screw	4	AB
* * * * *				
-11	24321	Seal, Crankshaft, Oil	1	AB
-12	500400	Key, Propeller Hub	1	AB
	A3746	Hub Assembly	1	AB
-13	3745	. Hub	1	AB
-14	3991	. Flange	1	AB
-15	21468	. Bolt	6	AB
-16	2474	. Washer, Plain	6	AB
-17	2458	. Nut, Castle	6	AB
-18	2506	. Pin, Cotter	6	AB
-19	21202	. Nut, Propeller Hub	1	AB
-20	21203	. Ring, Propeller Hub	1	AB
-21	AN392-11	. Pin, Flat Head	1	AB
-22	2500	. Pin, Cotter	1	AB

NOTE ① See Section IV for all engine bearing kits, including sets for crankcases with dowels installed in front bearing boss and sets with dowel in thrust washer.

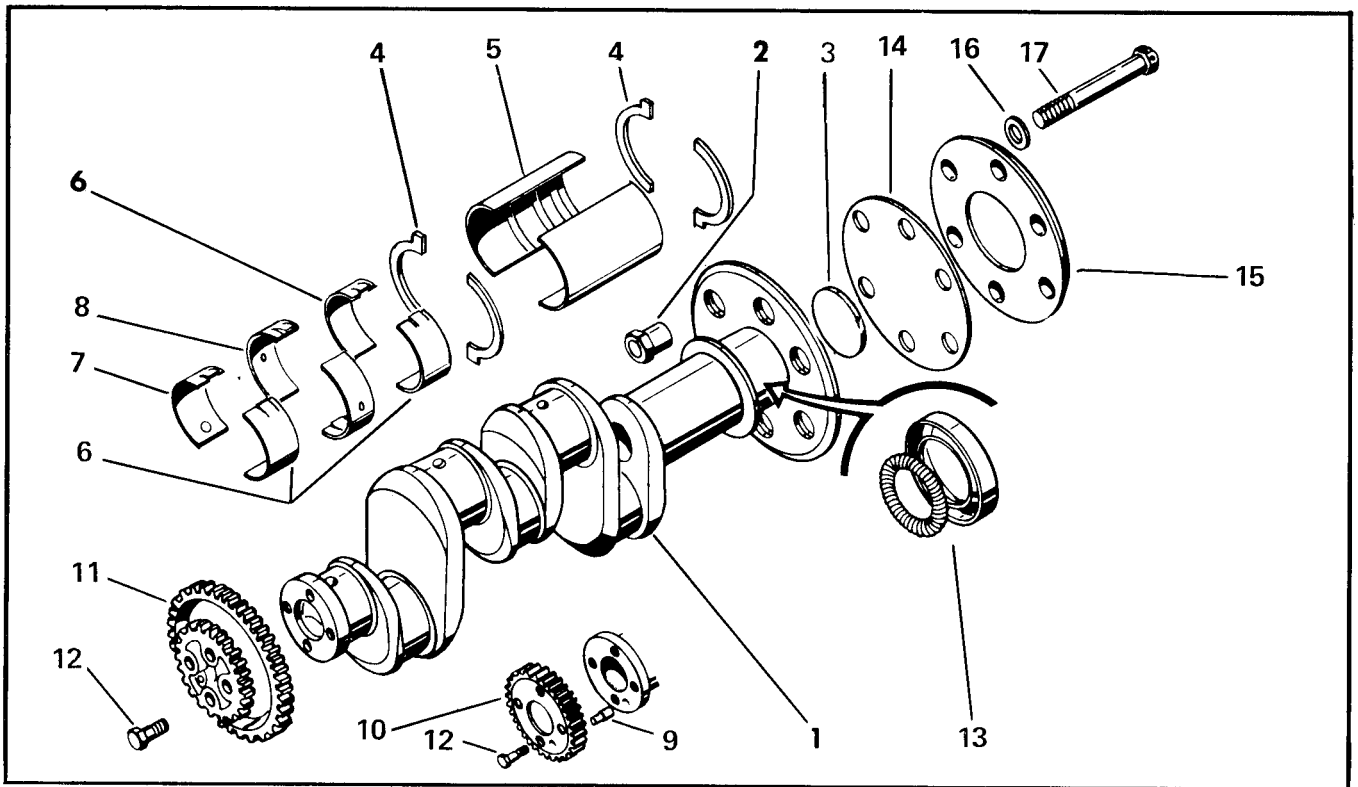


FIGURE 5. CRANKSHAFT ASSEMBLY - FLANGED

FIG. & INDEX	PART NUMBER	DESCRIPTION	QTY.	USABLE ON CODE
5-	No Number	Crankshaft Assembly, Service	NS	ALL
	530199	. Crankshaft Assembly	1	AB
	530182	. Crankshaft Assembly	1	CD
-1	No Number	. . Crankshaft and Tubes	1	ALL
-2	24769	. . Bushing, Prop Bolt	6	ALL
-3	24770	. . Plug, Hubbard	1	AB
-4	633141	@ . Washer, Thrust	4	ALL
-5	530058	† @ . Bearing, Front	2	ALL
-6	633398	† @ . Bearing, Main Cylinder 1 & 3	2	ALL
-7	633399	† @ . Bearing, Main Cylinder 2 & 4	2	ALL
-8	35897	† . Bearing, Connecting Rod	8	ALL
-9	630651	† Dowel	1	ALL
-10	530641	* Gear, Crankshaft	1	*
-11	35016	** Gear, Cluster, Crankshaft	1	**
ATTACHING PARTS				
-12	21346	* Screw	4	*
-12	22532	** Screw	4	**
* * * * *				
-13	530019	Seal Assembly, Oil	1	ALL
-14	35956	Plate, Moisture Impervious	1	ABC
-15	3991	Flange, Propeller Hub	1	ABC
-16	401507	Washer	6	ABC
-17	24768	Bolt	6	ABC

NOTE (*) Used on -8 Models only.
 NOTE (***) Used on -12, -14, -16 & O-200 Models.
 NOTE (@) See Section IV.

FIG. & INDEX	PART NUMBER	DESCRIPTION	QTY.	USABLE ON CODE
6-	A35160A2	Rod Assembly, Connecting	4	AB
	530184A2	Rod Assembly, Connecting	4	CD
-1	No Number	. Rod and Cap, Connecting	NS	ALL
-2	25369	. Bushing, Piston Pin	1	AB
-2	530192	. Bushing, Piston Pin	1	CD
-3	530213	. Bolt, Connecting Rod, Special	2	ALL
-4	24804	. Nut, Slotted	2	ALL
-5	639292	Pin, Cotter	8	ALL

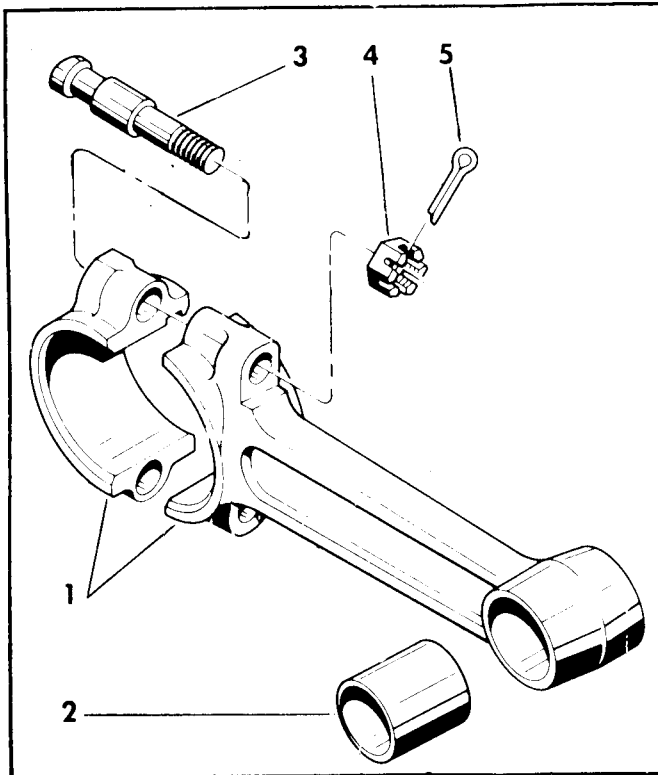


FIGURE 6. CONNECTING ROD ASSEMBLY

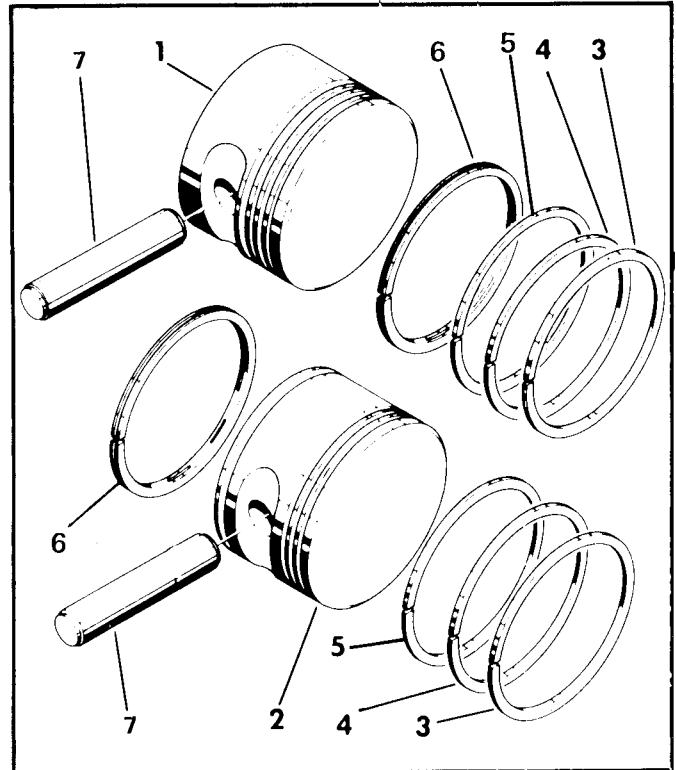


FIGURE 7. PISTON ASSEMBLY

FIG. & INDEX	PART NUMBER	DESCRIPTION	QTY.	USABLE ON CODE
7-1	40327	† Piston, 6:3:1 Compression Ratio	1	AB
-2	530348	† Piston, 7:0:1 Compression Ratio	1	CD
-3	638109	† Ring, Top Compression	1	ALL
-3	640296	* Ring, Top Compression	1	ALL
-4	638110	† Ring, Second Groove	1	ALL
-4	640296	* Ring, Second Groove	1	ALL
-5	638110	† Ring, Third Groove	1	ALL
-5	640297	* Ring, Third Groove	1	ALL
-6	638111	† Ring, Fourth Groove	1	ALL
-6	640298	* Ring, Fourth Groove	1	ALL
-7	530830	Pin & Plug Assembly, Piston Pin	1	ALL

NOTE* Chrome Plate

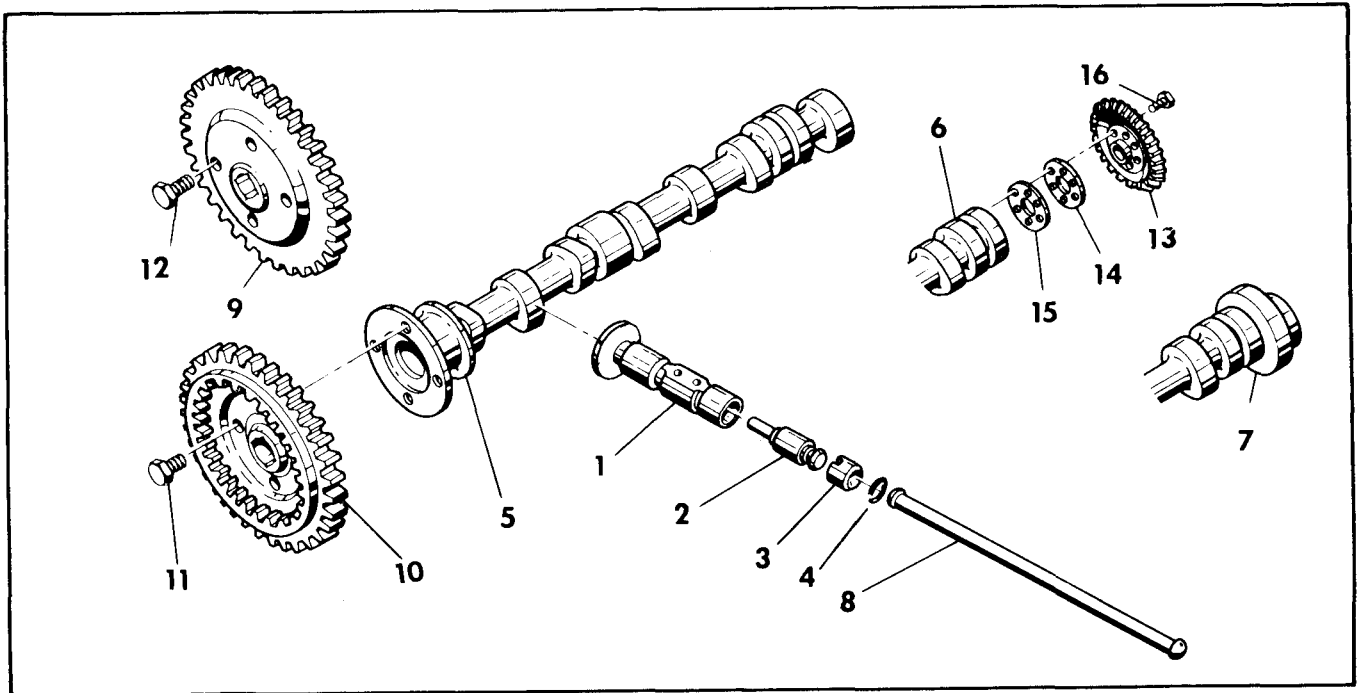


FIGURE 8. CAMSHAFT ASSEMBLY, LIFTERS AND PUSHRODS

FIG. & INDEX	PART NUMBER	DESCRIPTION	QTY.	USABLE ON CODE
8-	A21599	Lifter Assembly, Hydraulic Valve (Used with 40584 Cam)	8	AB
	530872	Lifter Assembly, Hydraulic Valve (Used with 530788 Cam)	8	Opt.
	637270	Lifter Assembly, Hydraulic Valve (Used with 531076, 631146 or 626608 (Camshaft)	8	CD
-1	21608	. Body, Hydraulic Valve Lifter	1	AB
-1	530851	. Body, Hydraulic Valve Lifter	1	CD
-1	530873	. Body, Hydraulic Valve Lifter	1	Opt.
-2	637269	. Unit, Valve Lifter, Hydraulic	1	ALL
-3	637268	. Socket, Pushrod	1	ALL
-4	530940	. Ring, Snap	1	ALL
-5	40584	† ① Camshaft, Cast Iron	1	AB
-5	531076	† ② Camshaft, Forged Steel	1	C
-6	531146	† Camshaft, Forged Steel	1	C
-7	626608	† Camshaft, Forged Steel	1	D
-8	537870	† Pushrod Tube Assembly	8	ALL
-9	3506	③ Gear, Camshaft	1	AC
-10	530535	Gear, Camshaft	1	ABCD
ATTACHING PARTS				
-11	22534	Screw, Hex Drilled Head	4	ABCD
-12	21346	③ Screw, Hex Drilled Head	4	AC
* * * * *				
-13	3660	Gear, Vacuum Pump Drive	1	D
-14	22030	Shim, Vacuum Pump Drive 0.002 Thick	AR	C
-15	22031	Shim, Vacuum Pump Drive 0.005 Thick	AR	CD
-16	MS9088-08	Screw, Drilled Head	6	C
-16	AN502-10-8	Screw, Drilled Head	6	D

- NOTE ① For side fuel pump or none
 NOTE ② 24° overlap side fuel pump or none
 NOTE ③ All -8, -8F Models

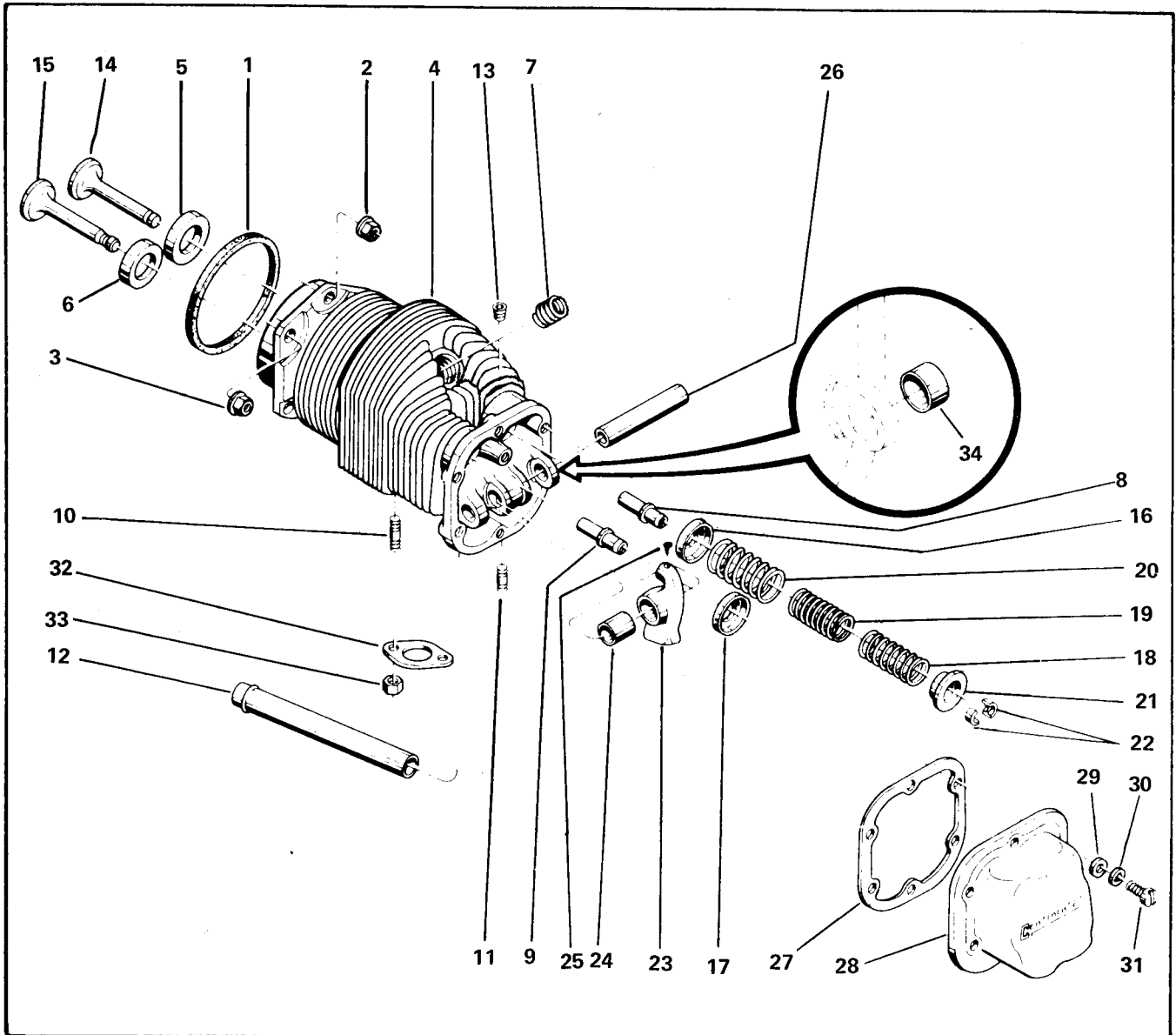


FIGURE 9. CYLINDER ASSEMBLY

FIG. & INDEX	PART NUMBER	DESCRIPTION	QTY.	USABLE ON CODE
9-1	21477	\$ Packing, Cylinder Base	4	ALL
	641917A2	Cylinder & Valve Assembly	4	ALL
	641916A1	② Cylinder & Valve Assembly	4	ALL
	641917CP-A2	① Cylinder & Valve Assembly	Opt.	ALL
ATTACHING PARTS				
-2	531003	Nut, Flanged Hex, 3/8 Inch	8	ALL
-3	531001	Nut, Flanged Hex, 7/16 Inch	16	ALL
* * * * *				
-4	641917	. Cylinder & Head Assembly	1	ALL
-4	641916	② . Cylinder & Head Assembly	1	ALL
-4	641917CP	① . Cylinder & Valve Assembly	Opt.	ALL

FIG. & INDEX	PART NUMBER	DESCRIPTION	QTY.	USABLE ON CODE
9 -5	641793	†④ . . Insert, Intake Valve Seat	1	ALL
-6	3923	† . . Insert, Exhaust Valve Seat	1	ALL
-7	520112	. . Insert, 18mm Spark Plug Helical Coil	2	ALL
-8	24024	† . . Guide, Intake Valve	1	ALL
-9	24047	†② . . Guide, Exhaust Valve	1	ALL
-9	628309	† . . Guide, Exhaust Valve	1	ALL
-10	402151	† . . Stud, Exhaust Flange	2	ALL
-11	401870	† . . Stud, Intake Elbow Pad	2	ALL
-12	21284	. . Housing, Push Rod	2	ALL
-13	629518-1H	\$. . Plug	1	ALL
-14	641792	④ . Valve, Intake	1	ALL
-15	629404	② . Valve, Exhaust	1	ALL
-15	631639	. Valve, Exhaust	1	ALL
-16	24026	. Retainer, Intake Valve Spring	1	ALL
-17	24044	. Retainer, Exhaust Valve Spring	1	ALL
-18	24031	. Spring, Inner Valve	2	ALL
-19	24029	. Spring, Intermediate Valve	2	ALL
-20	625958	. Spring, Outer Valve	2	ALL
-21	24027	. Seat, Valve Spring	2	ALL
-22	21361	. Lock, Valve Spring Seat	4	ALL
-23	639615	Rocker Arm Assembly, Exhaust	1	ALL
-23	639614	Rocker Arm Assembly, Intake	1	ALL
-24	24122	. Bushing, Valve Rocker Arm	1	ALL
-25	21007	. Screw, Drive, 1/8 Inch	1	ALL
-26	21153	† Shaft, Valve Rocker	1	ALL
-27	530162	\$ Gasket, Rocker Cover	1	ALL
-28	40762	Cover, Valve Rocker	1	ALL
ATTACHING PARTS				
-29	534471	Washer, Plain 17/64 Inch	6	ALL
-30	MS35338 44	Washer, Lock	6	ALL
-31	535091	Screw, Drilled Head	6	ALL
* * * * *				
-32	21493	\$ Gasket, Exhaust Flange, Copper Asbestos	4	ALL
-32	627429	Gasket, Exhaust Flange	Opt.	ALL
-33	22022	Nut, Plain, 5/16 Inch	8	ALL
-34	22949	†③ Bushing, Rocker Shaft Boss	AR	ALL

NOTE ① Chrome Plate

NOTE ② These parts are contained within the 641916A1 Cylinder Assembly, and are not compatible with the 641917A2. The 641916A1 Cylinder Assembly is no longer available.

NOTE ③ Bushing supplied for repair of worn bosses not installed in new engines and installed in this location if cylinder head is tapped with 1/8 inch NPT hole.

NOTE ④ Cylinder's A50222 and 639702 used a 45° intake valve and seat and will not accommodate the 30° 641792 valve. Modify per Service Bulletin M76-8.

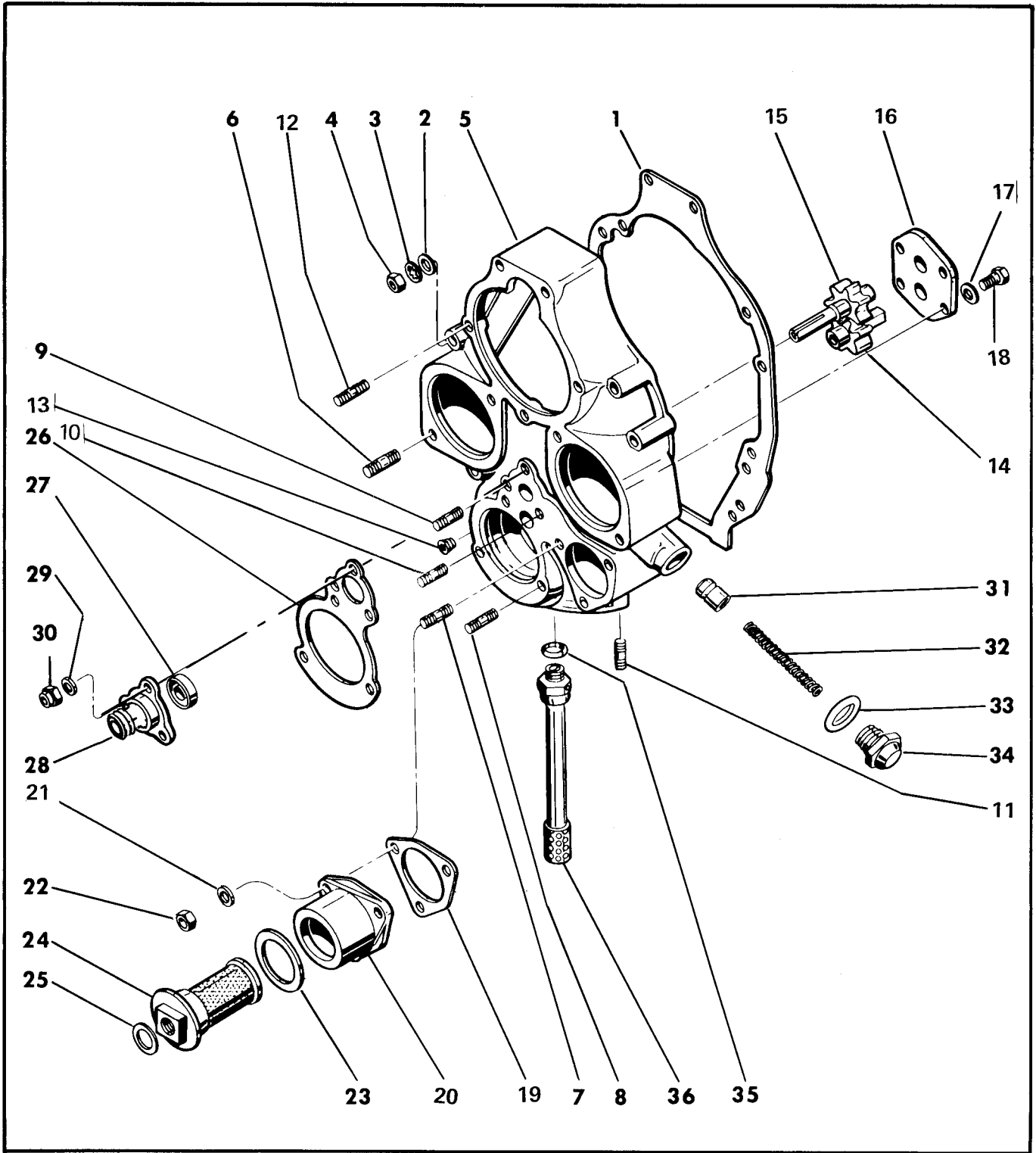


FIGURE 10. CRANKCASE COVER ASSEMBLY

FIG. & INDEX	PART NUMBER	DESCRIPTION	QTY.	USABLE ON CODE
10- 1	5484	\$ Gasket, Crankcase Cover	1	ALL
	No Number	Cover Assembly, Complete Crankcase	NS	ALL
ATTACHING PARTS				
-2	2473	Washer, Plain	7	ALL
-3	MS35338-45	Washer, Lock	7	ALL
-4	2439	Nut, Plain	7	ALL
* * * *				
	6726A1	* . Cover Assembly, Crankcase	1	ABC
	627307A7	** . Cover Assembly, Crankcase	1	CD
-5	No Number	. . Cover, Crankcase	NS	ALL
-6	401975	† . Stud, Magneto Pad, 5/16 x 1-9/16 Inch Long	4	ABCD
-6	402131	† . Stud, Magneto Pad, 5/16 x 1-1/2 Inch Long	4	D
-7	401801	† . Stud, 1/4 x 1-3/16 Inch Long	1	ABCD
-8	402044	† . Stud, 5/16 x 1-3/8 Inch Long	2	ABCD
-9	401801	† . Stud, 1/4 x 1-3/16 Inch Long	2	ABCD
-10	401804	† . Stud, 1/4 x 1-1/16 Inch Long	1	ABCD
-11	401804	† . Stud, 1/4 x 1-1/16 Inch Long	3	ABCD
-12	401971	† . Stud, 5/16 x 1-5/8 Inch Long	3	ABCD
-13	2025	. . Plug, Pipe, 3/8 Inch	1	D
-14	22354	. Gear, Oil Pump Driver	1	ABCD
-15	22355	. Gear, Oil Pump Driven	1	ABCD
-16	23410	. Cover, Oil Pump	1	ABCD
ATTACHING PARTS				
-17	20522	. Washer, 17/64 Inch	4	ABCD
-18	22537	. Screw, Drilled Head, 1/4 x 5/8 Inch Long	4	ABCD
* * * *				
-19	22350	\$. Gasket, Oil Screen Housing	1	ABCD
-20	3502C	. Housing, Oil Screen	1	ABCD
ATTACHING PARTS				
-21	20522	. Washer, Plain	1	ABCD
-22	2439	. Nut, Plain	1	ABCD
* * * *				
-23	AN900-28	\$. Gasket, Copper Asbestos, 1-3/4 Inch	1	ABCD
-24	A3568	. Screen Assembly, Oil	1	ABCD
-25	AN900-10	\$. Gasket, Copper Asbestos, 5/8 Inch	1	ABCD
-26	35019	\$. Gasket, Tach Drive HSG & Generator	1	ABCD
-27	640087	\$. Seal, Tach Drive Oil	1	ABCD
-28	35018	. Housing, Tach Drive	1	ABCD
ATTACHING PARTS				
-29	20522	. Washer, Plain, 17/64 Inch	3	ABCD
-30	22661	. Nut, Elastic Stop	3	ABCD
* * * *				
-31	2114	. Plunger, Oil Pressure Relief Valve	1	ABCD
-32	637083	. Spring, Oil Pressure Relief Valve	1	ABCD
-33	AN900-14	\$. Gasket, Copper Asbestos, 7/8 Inch	1	ABCD
-34	21113	. Cap, Oil Pressure Relief Valve	1	ABCD
-35	AN900-10	\$ Gasket, Copper Asbestos, 5/8 Inch	1	ABCD
-36	A22301	Tube Assembly, Oil Suction	1	ABCD

NOTE (*) Not used on -8 Models

NOTE (**) Used on C90-16F

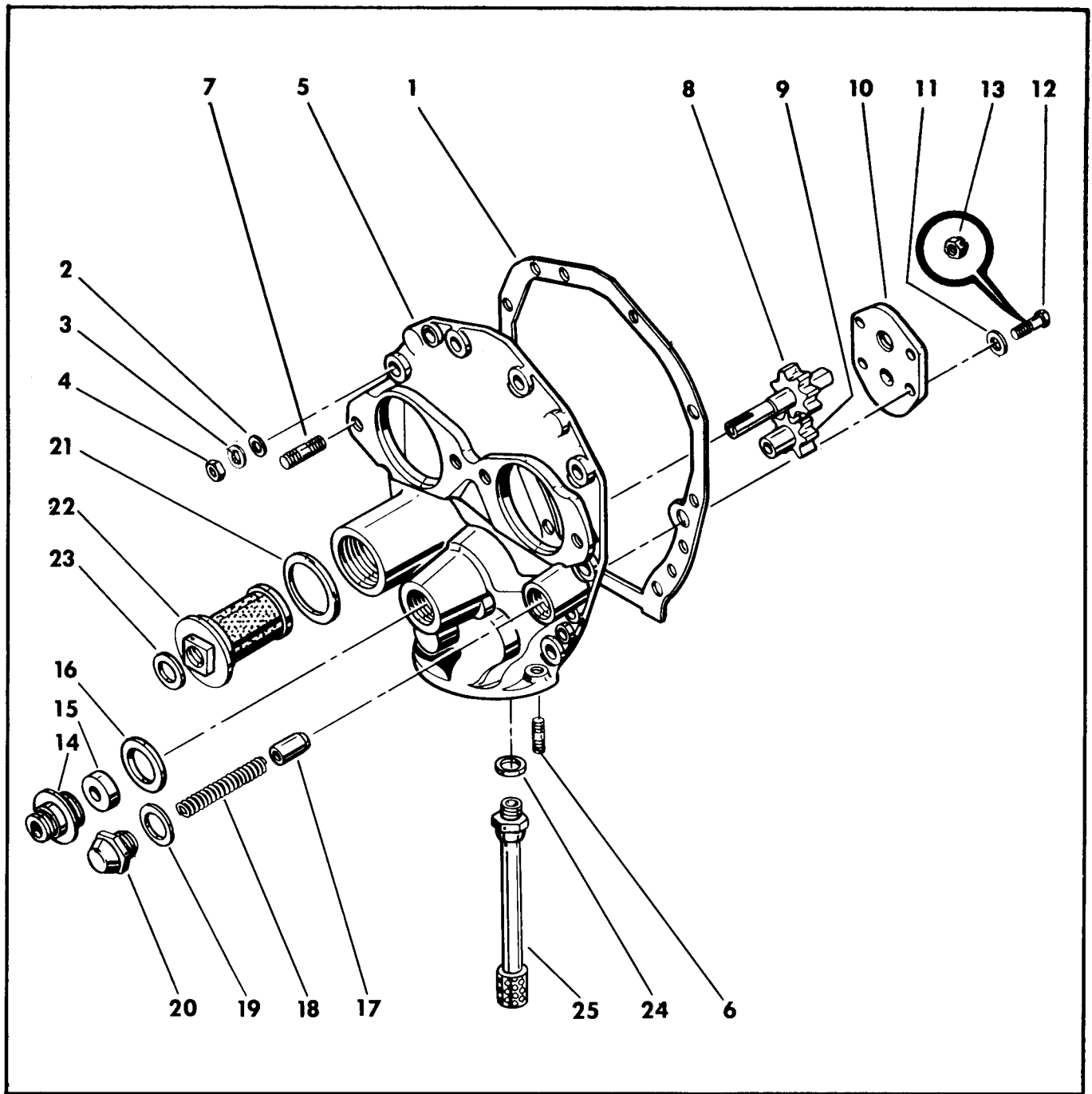


FIGURE 11. CRANKCASE COVER ASSEMBLY

FIG. & INDEX	PART NUMBER	DESCRIPTION	QTY.	USABLE ON CODE
11- 1	4577	\$ Gasket, Crankcase Cover	1	ABC
	No Number	Cover Assembly, Complete Crankcase	NS	ABC
ATTACHING PARTS				
-2	2473	Washer, Plain	10	ABC
-3	MS35338-45	Washer, Lock	10	ABC
-4	2439	Nut, Plain	10	ABC
* * * *				
	A4587	* . Cover Assembly, Crankcase	1	ABC
-5	No Number	. . Cover, Crankcase	NS	ABC
-6	401804	† . . Stud, 1/4 x 1-1/16 Inch Long	3	ABC
-7	401824	† . . Stud, 5/16 x 1-1/2 Inch Long	4	ABC
-8	3562	. Gear and Drive Shaft, Oil Pump	1	ABC
-9	21343	. Gear and Shaft, Oil Pump Driven	1	ABC
-10	21160	. Cover, Oil Pump	1	ABC
ATTACHING PARTS				
-11	20522	. Washer, Plain	4	ABC
-12	22537	. Screw, Drilled Head, 1/4 x 5/8 Inch Long	4	ABC
-13	2456	** . Nut, Hex Castle	4	ABC
* * * *				
-14	21208	. Housing, Tach Drive	1	ABC
-15	640087	\$. Seal, Tach Drive, Oil	1	ABC
-16	632085	\$. Gasket Copper Asbestos, 1-3/8 Inch	1	ABC
-17	21114	. Plunger, Oil Pressure Relief Valve	1	ABC
-18	637083	. Spring, Oil Pressure Relief Valve	1	ABC
-19	AN900-14	\$. Gasket, Copper Asbestos, 7/8 Inch	1	ABC
-20	21113	. Cap, Oil Pressure Relief Valve	1	ABC
-21	AN900-28	\$. Gasket, Copper Asbestos, 1-3/4 Inch	1	ABC
-22	A3568	. Screen Assembly, Oil	1	ABC
-23	AN900-10	\$. Gasket, Copper Asbestos, Oil Screen Housing	1	ABC
-24	AN900-10	\$ Gasket, Copper Asbestos, Oil Screen Housing	1	ABC
-25	A22301	Tube Assembly, Oil Pump Suction	1	ABC

NOTE (*) Used on -8 Models only.

NOTE (**) For use only when stud, Part No. 21393, is in serviceable condition.

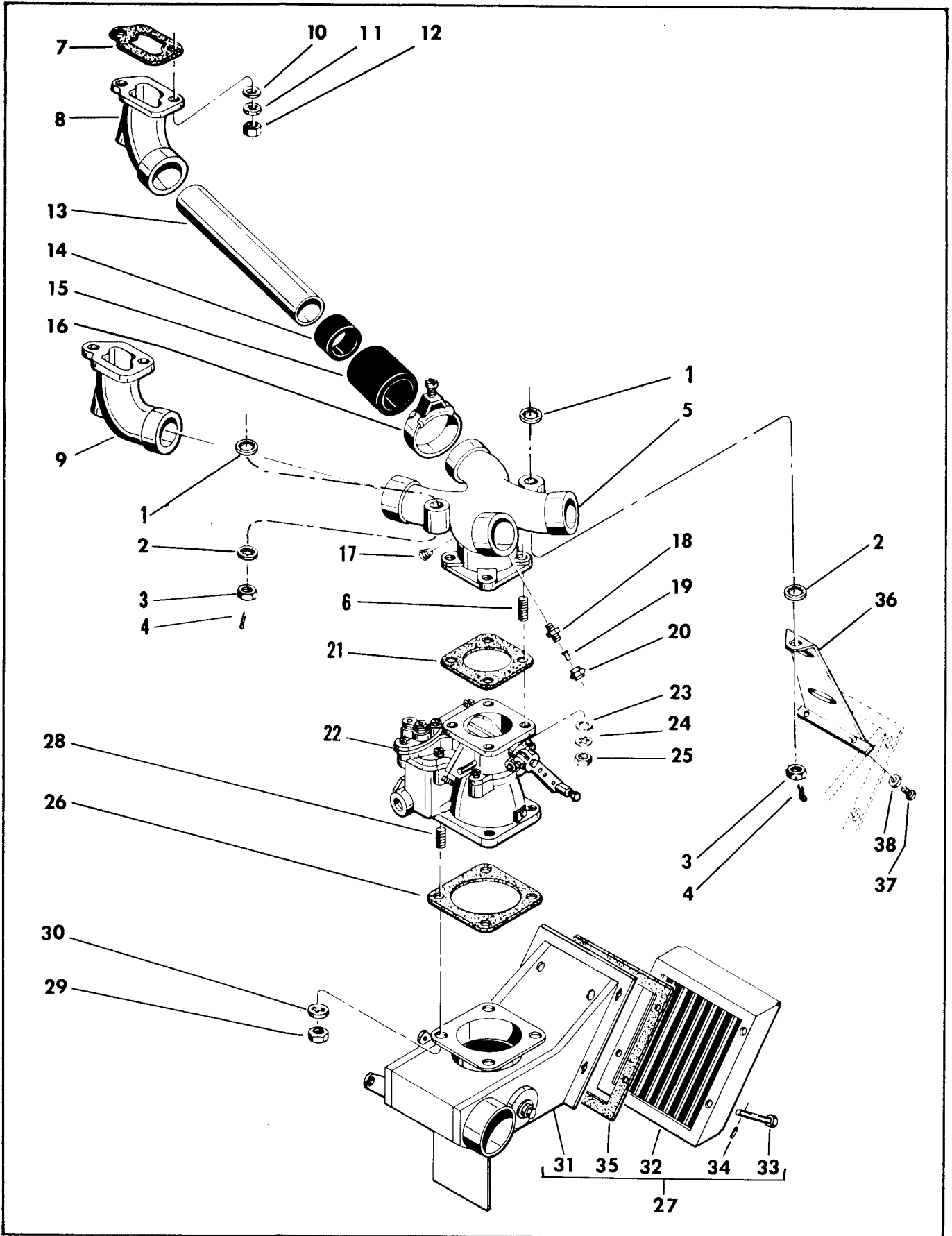


FIGURE 12. CARBURETOR INDUCTION SYSTEM

FIG. & INDEX	PART NUMBER	DESCRIPTION	QTY.	USABLE ON CODE
12-	35145A1	Manifold Assembly, Intake	1	ALL
		ATTACHING PARTS		
-1	538556	Lock-O-Seal	2	ALL
-2	538556	Lock-O-Seal	2	ALL
-3	2557	Nut, Special	2	ABC
-3	2458	Nut, Castle	2	D
-4	MS24665-155	Cotter Pin	2	D
		* * * *		
-5	No Number	. Manifold, Intake	NS	ALL
-6	401806	† . Stud, 1/4 x 1-1/4 Inch Long	4	ALL
-7	22250	\$ Gasket, Intake Elbow	4	ALL
-8	40246	Elbow, Cylinder 1 and 4, Intake	2	ALL
-9	40247	Elbow, Cylinder 2 and 3, Intake	2	ALL
		ATTACHING PARTS		
-10	20522	Washer, Plain	8	ALL
-11	MS35338-44	Washer, Lock	8	D
-12	2437	Nut, Plain	8	ALL
		* * * *		
-13	21182	Pipe, Intake	4	ALL
-14	21185	\$ Connector, Hose, 1-1/2 Inch	8	ALL
-15	22800	\$ Connector, Hose, 1-3/4 Inch	8	ALL
-16	36151N	Clamp, Hose	16	ALL
-17	2024	Plug, Socket Head	1	ALL
-18	AN4022-1	Jet, Primer	1	ALL
-19	20720	Cone, 1/8 Inch Tube	1	ALL
-20	AN805-2	Nut, Tube Union, 1/8 Inch	1	ALL
-21	21051	\$ Gasket, Carburetor to Manifold	1	ALL
-22	627366	Carburetor, Marvel-Schebler MS8-4240	1	AB
-22	627367	Carburetor, Marvel-Schebler MA-3SPA P/N 10-4252	1	C
-22	633028	@ Carburetor, Marvel-Schebler MA3SPA P/N 10-4894	1	D
		ATTACHING PARTS		
-23	20522	Washer, 17/64 Inch	4	ALL
-24	MS35338-44	Washer, Lock	4	ALL
-25	2437	Nut, Plain	4	ALL
		* * * *		
-26	21323	\$ Gasket, Air Intake	1	ALL
-27	A40522	* Intake Assembly, Carburetor, Air	1	ALL
-27	A40793	** Intake Assembly, Carburetor, Air	1	CD
		ATTACHING PARTS		
-28	402711	† Stud, Plain, 1/4 x 7/8 Inch Long	4	ALL
-29	2437	Nut, Plain, Hex 1/4 - 28	4	ALL
-30	MS35338-44	Washer, Lock	4	ALL
-31	A50256	. Housing Assembly, Carburetor Air (Part of A40522)	1	AC
-31	A50495	. Housing Assembly, Carburetor Air (Part of A40793)	1	BCD
	627361	. Filter Assembly, Carburetor Air	1	ALL
-32	40599	. . Filter, Carburetor Air Intake	1	ALL
-33	24306	. . Stud, Filter Camlock	4	ALL
-34	24308	. . Pin, Camlock Stud Cross	4	ALL
-35	35923	\$. . Gasket, Air Filter to Housing	1	ALL
-36	A35917	Support Assembly, Carburetor Air Intake	1	ALL
-37	AN501A10-5	Screw, Fillister Head	2	ALL
-38	2471	Washer, Plain	2	ALL

NOTE (*) Installed on C90 engines when equipped with Stromberg carburetors.
NOTE (**) Used on C-90 and O-200 series when equipped with Marvel-Schebler carburetors.
NOTE (@) 633028 (IO-4894) same as 627143 except throttle shaft return spring is omitted.

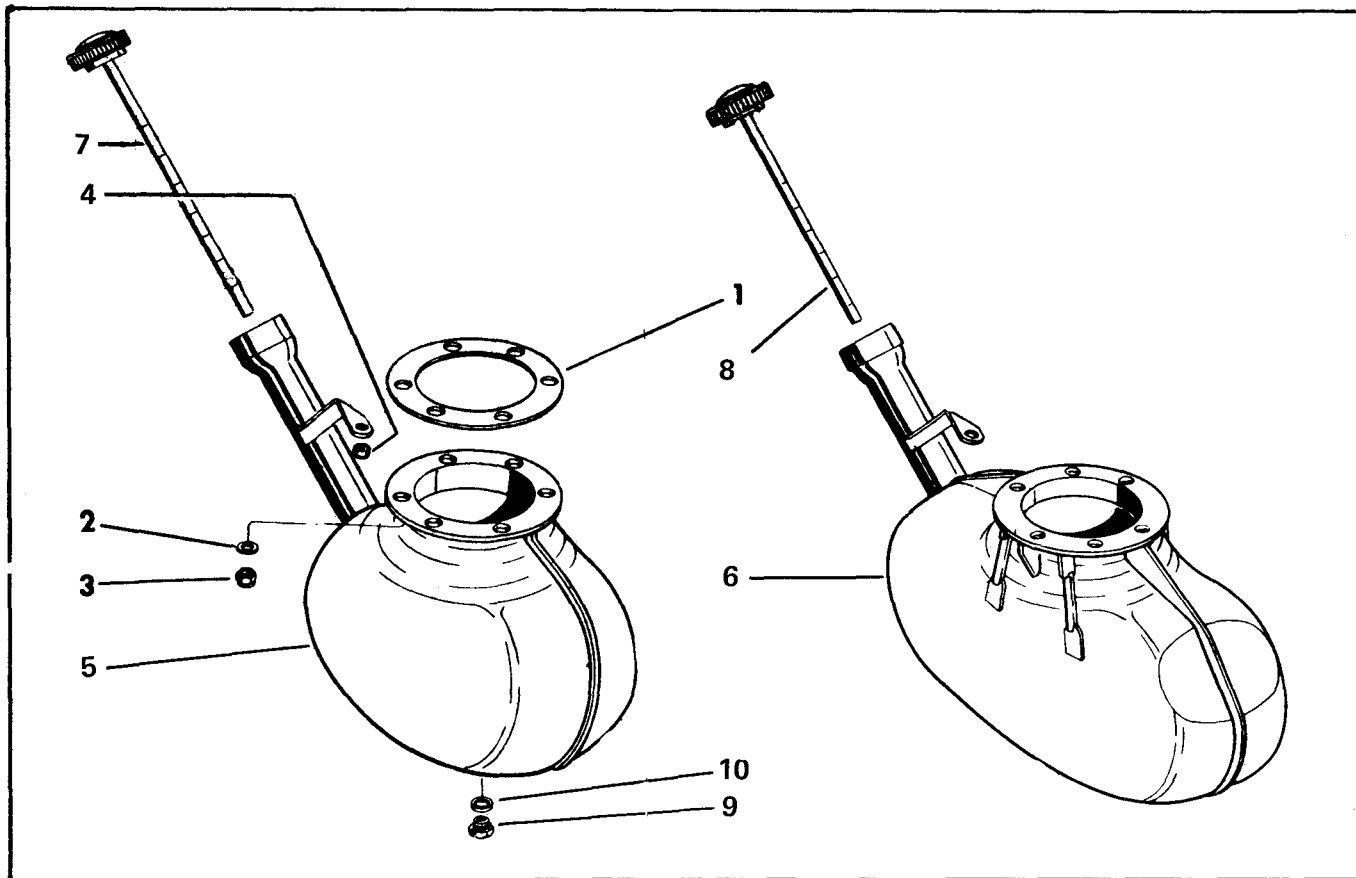


FIGURE 13. OIL SUMP ASSEMBLIES

FIG. & INDEX	PART NUMBER	DESCRIPTION	QTY.	USABLE ON CODE
13- 1	3577	\$ Gasket, Oil Sump	1	ALL
	See Note	Sump Assembly Complete, Oil	Opt.	ALL
ATTACHING PARTS				
-2	20522	Washer, Plain	6	ALL
-3	22661	Nut, Elastic Stop	6	ALL
-4	21213	Nut, Elastic Stop	1	ALL
* * * *				
-5	No Number	. Sump Assembly, Oil	NS	ABC
-6	No Number	* . Sump Assembly, Oil	NS	ABCD
-7	No Number	** . Oil Gauge and Cap Assembly	Opt.	ALL
-8	No Number	** . Oil Gauge and Cap Assembly	Opt.	ALL
-9	532432	. Plug, Hex Drilled Head	1	ALL
-10	AN900-10	. Gasket, Copper Asbestos	1	ALL

NOTE (*) All -12, -14, -16 and O-200 Models.

NOTE (**) If part number is not stamped on dipstick, supply engine model, airplane model and year.

NOTE: To obtain correct replacement oil sump, order same part number stamped on upper surface of original sump mount flange. Also, give engine application.

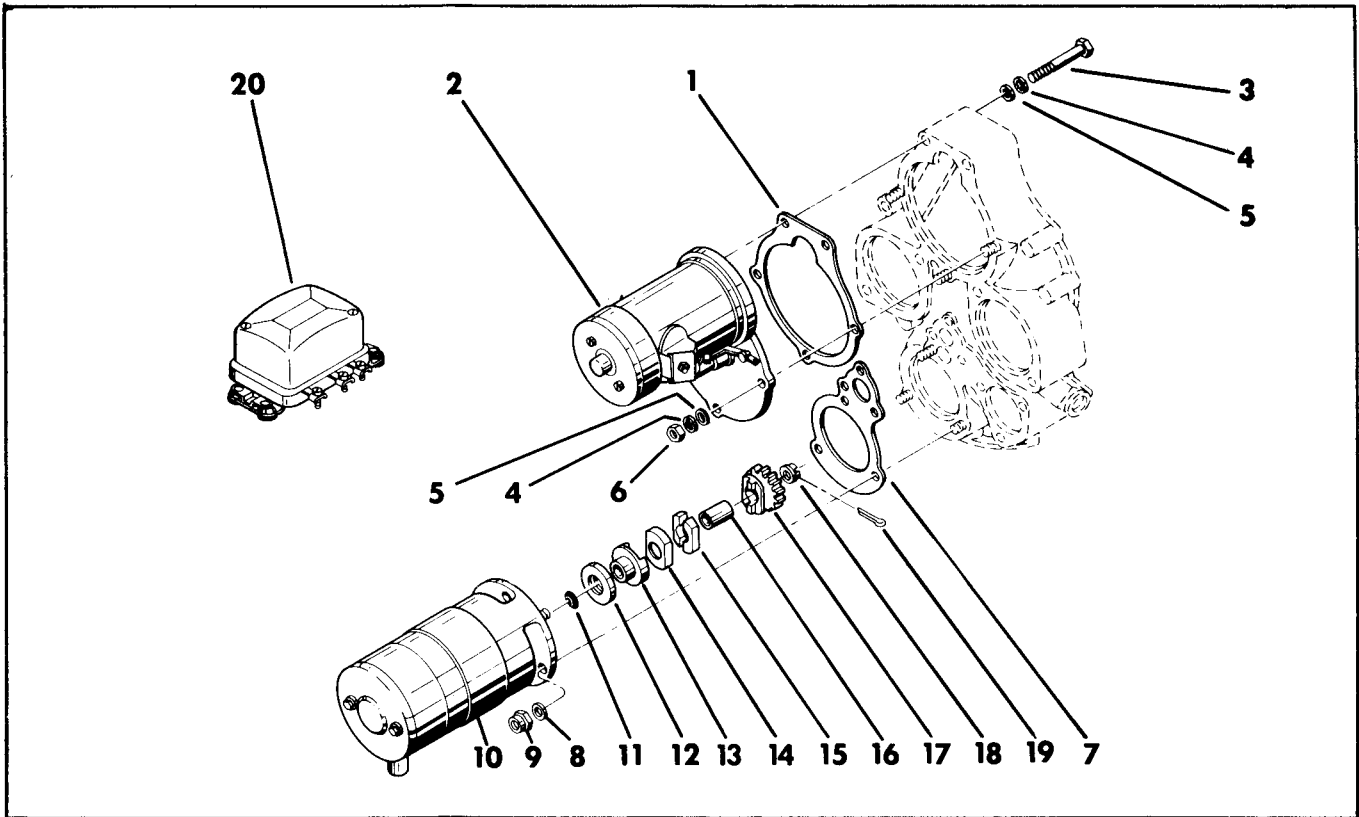


FIGURE 14. STARTER, GENERATOR, VOLTAGE REGULATOR

FIG. & INDEX	PART NUMBER	DESCRIPTION	QTY.	USABLE ON CODE
14- 1	352179	\$ Gasket, Starter Pad	1	ALL
-2	50309	Starter, Complete, Delco-Remy No. 1109656	1	ALL
ATTACHING PARTS				
-3	538999	Bolt, Hex Drilled Head	2	ABC
-3	24724	Bolt, Hex Drilled Head	2	D
-4	MS35338-45	Washer, Lock	5	ALL
-5	2473	Washer, Plain	5	ALL
-6	2439	Nut, Plain	3	ALL
-7	35019	\$ Gasket	1	ALL
	534208	Generator Assembly Complete (12V, 20 AMP)	1	ALL
ATTACHING PARTS				
-8	2473	Washer, Plain	3	ALL
-9	21213	Nut, Elastic Stop	3	ALL
* * * *				
-10	534111	. Generator, 12V, 20 AMP	1	ALL
-11	AN123864	\$. Seal, O-Ring, 7/16 Inch	1	ALL
-12	352068	\$. Seal, Oil	1	ALL
-13	530406	. Hub, Generator Coupling	1	ALL
-14	352030	. Retainer, Coupling Disc.	1	ALL
-15	626543	. Bushing Generator Drive Coupling	2	ALL
-16	530407	. Sleeve Generator Drive Coupling	1	ALL
-17	531325	. Gear, Generator Drive	1	ALL
-18	530412	. Nut, Shouldered, Slotted 5/16	1	ALL
-19	2501	. Pin, Cotter, 1/16 Inch	1	ALL
-20	534112	Regulator, Voltage, 12V, 20 AMP, Delco-Remy 1118736	1	ALL

FIG. & INDEX	PART NUMBER	DESCRIPTION	QTY.	USABLE ON CODE
15- 1	535324	\$ Gasket, Magneto Flange	2	ALL
	No Number	Magneto Assembly	NS	ALL
ATTACHING PARTS				
-2	401506	Washer, Plain	4	ALL
-3	MS35338-45	Washer, Lock	4	ALL
-4	2439	Nut, Hex Plain	4	ALL
* * * *				
-5	50483	. Magneto, Bendix S4LN-21 (Impulse Counterclockwise)	2	ABCD
-5	530209	* . Magneto, Bendix S4RN-21 (Impulse clockwise)	2	C
-6	36066	. Gear, Magneto Drive	1	ABCD
-7	36067	* . Gear, Magneto Drive	1	C
	A25277	. Kit, Magneto Ground Terminal	2	ALL
-8	25314	. . Washer, Plain	1	ALL
-9	25315	. . Sleeve, Insulating	2	ALL
-10	25316	. . Ferrule, Groundwire Inner	1	ALL
-11	25317	. . Ferrule, Groundwire Outer	1	ALL
-12	25318	. . Nut, Hex Coupling	1	ALL
	530061A2	Cable Assembly, Complete Radio Shielded	1	D
	530375A1	* Cable Assembly, Complete	1	C
-13	530061	. Cable and Plate Assembly, Upper Ignition	1	D
-13	530375	* . Cable and Plate Assembly, Upper Ignition	1	C
-14	530062	. Cable and Plate Assembly, Lower Ignition	1	D
-14	530376	* . Cable and Plate Assembly, Lower Ignition	1	C
ATTACHING PARTS				
-15	25321	. Washer, Lock No. 10	8	ALL
-16	25320	. Screw, Fillister Head	8	ALL
* * * *				
-17	25301	. . Cable, Ignition Shielded	AR	ALL
-18	25302	. . Nut, Coupling	4	ALL
-19	20087	. . Ferrule, Ignition Cable	4	ALL
-20	25305	. . Plate, 4 Cylinder Shielded Outlet	1	ALL
-21	40794	. . Grommet, 4 Cylinder Distributor Cable	1	ALL
-22	25338	. . Washer, Plain	4	ALL
-23	25387	. . Screw, Cable Contact	4	ALL
-24	532151A1	. . Elbow Assembly, Spark Plug Lead	4	ALL
-25	532148	. . Nut, Cable-to-Elbow	4	ALL
-26	532149	. . Ferrule, Cable-to-Elbow	4	ALL
-27	532151	. . Elbow, Spark Plug Lead	4	ALL
-28	628986	. . Sleeve, Spark Plug Contact	4	ALL
-29	21459	. . Bracket, Ignition Cable	2	ALL
-30	530059	. . Bracket, Ignition Cable	4	ACD
-31	530886	. . Bracket, Ignition Cable	2	ALL
-32	21264	. . Rivet, Round Head Iron, 1/8 (dia.) x 1/4 Inch	AR	ALL
-33	627759	. . Bolt, Fillister Head No. 6-32 x 5/16 Inch	2	ACD
-34	627756	. . Nut, Stop	2	AC
-35	632503	Plug, Radio Shielded Spark, 18mm	8	D
-35	632501	Plug, Radio Unshielded Spark, 18mm	8	ABC
	530700A1	Cable Assembly Complete Unshielded Ignition	1	BC
	627667A1	Cable Assembly Complete Unshielded Ignition	1	ABC
-36	No Number	. Cable and Plate Assembly, Upper & Lower Ignition	NS	ABC
ATTACHING PARTS				
-37	25321	. Washer, Lock No. 10	4	ABC
-38	25320	. Screw, Fillister Head No. 10-32 x 5/8 Inch	4	ABC
* * * *				

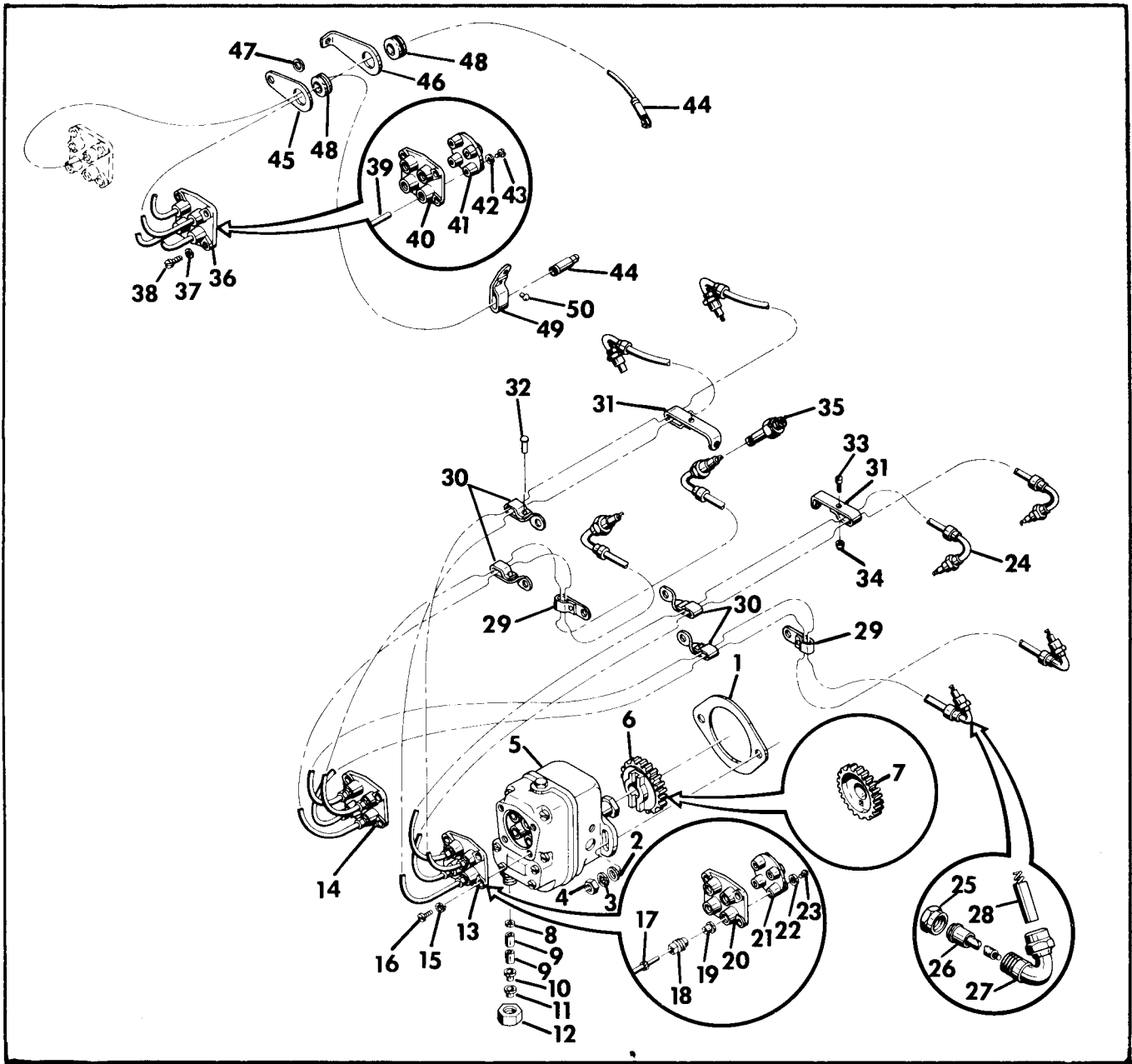


FIGURE 15. SCINTILLA IGNITION SYSTEM (S4LN-21, S4RN-21)

FIG. & INDEX	PART NUMBER	DESCRIPTION	QTY.	USABLE ON CODE
-39	21082	. . . Cable, Unshielded Ignition, 19 Strand Copper	AR	ABC
-40	25305	. . . Plate, 4 Cylinder Cable Outlet	1	ABC
-41	40794	. . . Grommet, 4 Cylinder Distributor Cable	1	ABC
-42	25388	. . . Washer, Plain	4	ABC
-43	25387	. . . Screw, Cable Contact	4	ABC
-44	2306	. . . Terminal, Spark Plug Safety Lock	4	ABC
-45	22493	. . . Bracket, Ignition Cable Rear	2	ABC
-46	530886	. . . Bracket, Ignition Cable, Upper Front Left & Right	2	ABC
-47	20522	. . . Washer, Plain	2	ABC
-48	22495	. . . Grommet, Ignition Cable Bracket	6	ABC
-49	25145	. . . Bracket, Ignition Cable Lower No. 3 & 4 Cylinder	2	ABC
-50	21264	. . . Rivet, Round Head Iron	2	ABC

NOTE (*) Used on -8 only.

FIGURE 16. SLICK IGNITION SYSTEM (MODEL 447)

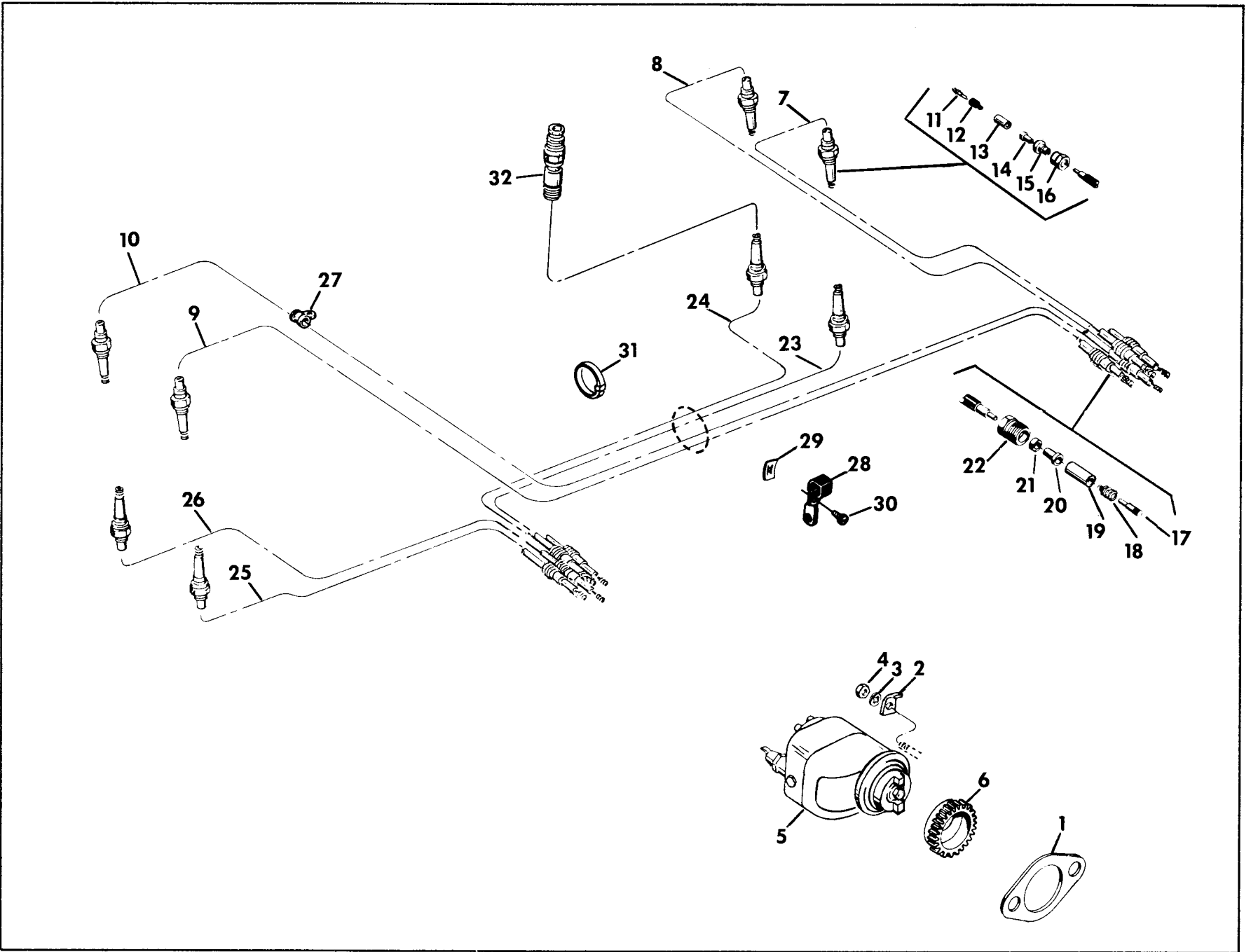


FIG. & INDEX	PART NUMBER	DESCRIPTION	QTY.	USABLE ON CODE
16- 1	534750	\$ Gasket, Magneto Flange	2	D
ATTACHING PARTS				
-2	401506	Washer, Plain	4	D
-3	MS35338-45	Washer, Lock	4	D
-4	2439	Nut, Plain Hex	4	D
* * * *				
-5	633122	Magneto, Slick Type 447	2	D
-6	36606	Gear, Magneto Drive	2	D
	633163	Ignition Cable Assembly, Complete	1	D
-7	634343	** . Cable Assembly, No. 1 Upper, 26½ Inch Long	1	D
-8	634343	** . Cable Assembly, No. 3 Upper, 29 Inch Long	1	D
-9	634343	** . Cable Assembly, No. 2 Upper, 33½ Inch Long	1	D
-10	634343	** . Cable Assembly, No. 4 Upper, 35½ Inch Long	1	D
-11	633585	* . . Screw, Electrode	1	D
-12	633586	* . . Spring	1	D
-13	634338	* . . Sleeve, Insulator	1	D
-14	633583	* . . Ferrule, Drive	1	D
-15	634339	* . . Ferrule, Ignition	1	D
-16	634337	* . Nut, Spark Plug	1	D
-17	633585	* . Screw, Electrode	1	D
-18	633586	* . Spring	1	D
-19	633584	* . Sleeve	1	D
-20	633583	* . Ferrule, Drive	1	D
-21	633582	* . Washer	1	D
-22	633581	* . Nut, Magneto End	1	D
-23	634342	** . Cable Assembly, No. 1 Lower, 42 Inch Long	1	D
-24	634342	** . Cable Assembly, No. 3 Lower, 42 Inch Long	1	D
-25	634342	** . Cable Assembly, No. 2 Lower, 40 Inch Long	1	D
-26	634342	** . Cable Assembly, No. 4 Lower, 40 Inch Long	1	D
-27	633925	Clamp	4	D
-28	633924	Clamp Assembly	2	D
-29	633927	Nut, Tinnerman No. 6	2	D
-30	633928	Screw, No. 6 x 3/8 Inch	2	D
-31	633926	Ty-Raps	11	D
-32	632503	Spark Plugs	8	D

NOTE (*) Index No's 11-22 are applicable to all ignition leads.

NOTE (**) Replacement leads are sold in two lengths less spark plug nut and magneto end hardware.

634343 Cable Assembly for leads up to 36 Inches Long.

634342 Cable Assembly for leads up to 42 Inches Long.

FIG. & INDEX	PART NUMBER	DESCRIPTION	QTY.	USABLE ON CODE
17-	EQ5334	Cooler Equipment, Oil	Opt.	ABC
-1	4763	. Adapter, Oil Cooler	1	ABC
ATTACHING PARTS				
-2	22344	. Gasket	RF	ABC
-3	2473	. Washer	RF	ABC
-4	MS35338-45	. Washer, Lock	RF	ABC
-5	2439	. Nut	RF	ABC
* * * * *				
-6	20288	. Plug, Socket Head, 1/4 Inch NPT	2	ABC
-7	2024	. Plug, Socket Head, 1/8 Inch NPT	1	ABC
-8	2849	. Ball, By-Pass Valve	1	ABC
-9	2848	. Spring, By-Pass Valve	1	ABC
-10	AN900-10	. Gasket	1	ABC
-11	532432	. Plug, Hex Drilled Head 5/8 - 18	1	ABC
-12	530264	. Cooler, Oil	1	ABC
-13	22133	. Gasket, Oil Cooler	1	ABC
ATTACHING PARTS				
-14	2474	. Washer, Plain	3	ABC
-15	2441	. Nut, Plain Hex, 3/8 - 24	3	ABC

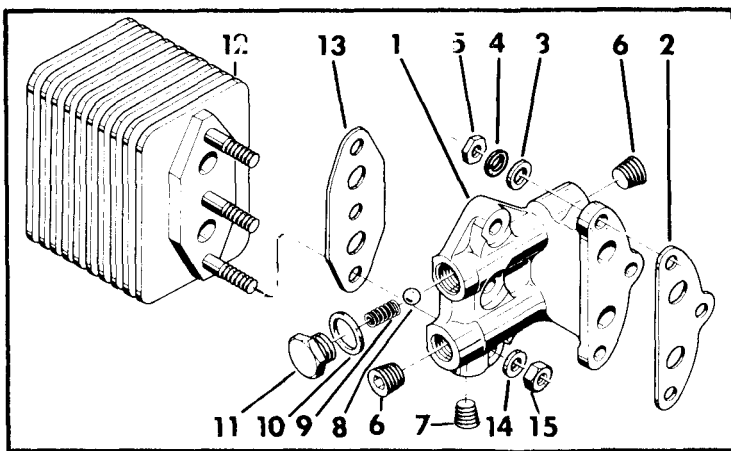


FIGURE 17. OIL COOLER EQUIPMENT

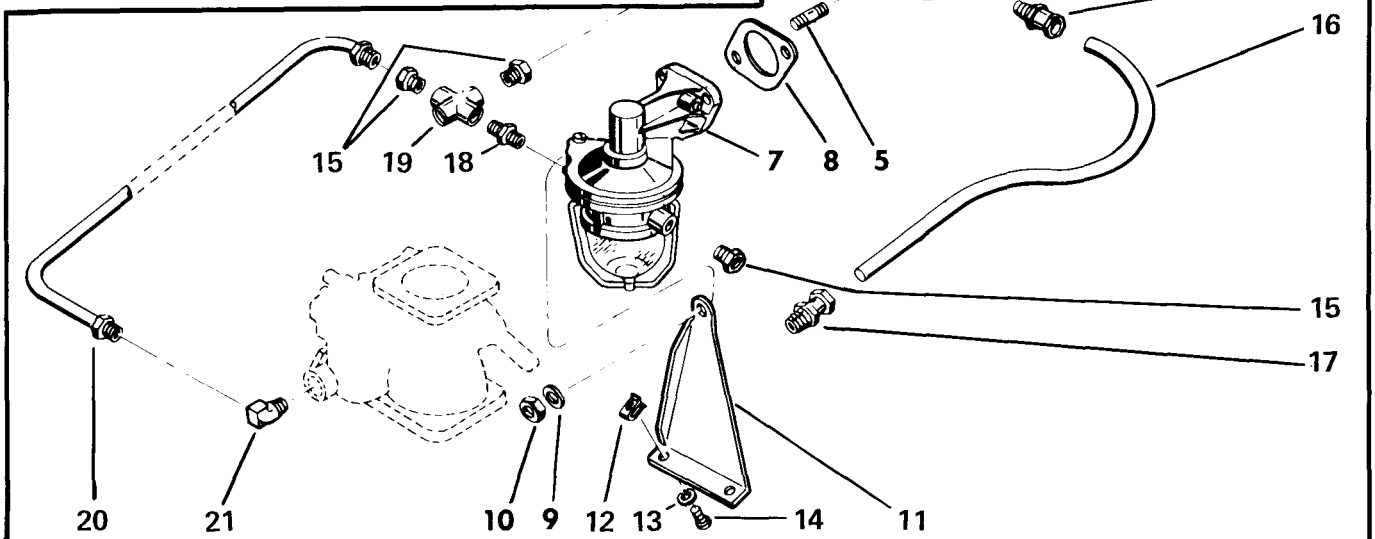
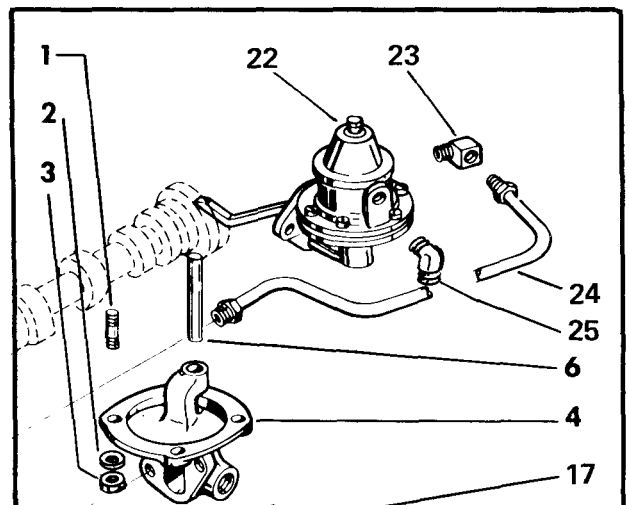


FIGURE 18. FUEL PUMP EQUIPMENT

FIG. & INDEX	PART NUMBER	DESCRIPTION	QTY.	USABLE ON CODE
18-	50207A1	Adapter Assembly, Lower Pump	Opt.	B
ATTACHING PARTS				
-1	401805	† Stud, 1/4 x 1-1/8 Inch, Drilled	4	B
-2	20522	Washer, Plain	4	B
-3	2458	Nut, Slotted	4	B
* * * *				
-4	No Number	. Adapter, Lower Pump	NS	B
-5	402045	† . Stud, 5/16 x 1-1/2 Inch	2	B
-6	24434	. Rod, Push	1	B
-7	40452	Pump, Lower Fuel	1	B
-8	24915	Gasket, Lower Fuel Pump	1	B
ATTACHING PARTS				
-9	2473	Washer, Plain	2	B
-10	2471	Washer, Plain	2	B
* * * *				
-11	36104	Bracket, Air Intake	1	B
ATTACHING PARTS				
-12	23166	Nut, Speed	2	B
-13	2471	Washer, Plain	2	B
-14	AN500A10-6	Screw, Fillister Drilled Head, No. 10-32 x 3/8 Inch	2	B
* * * *				
-15	24947	Connector, 1/8 NPT x 5/16 Tube	4	B
-16	35798	Tube, Oil Drain	1	B
-17	A24197	Connector, Drain Tube	2	B
-18	AN911-1	Nipple, Lower Pump Outlet, 1/8 NPT	1	B
-19	AN918-1D	Cross, 1/8 NPT	1	B
-20	A24706	Tube Assembly, Pump to Carburetor	1	B
-21	24946	Elbow, Pump Outlet, 1/8 NPT x 5/16 Tube	1	ABC
-22	40585	Pump, Side Mounted, Fuel	Opt	ABCD
-22	631391	* Pump, Side Mounted, Fuel	Opt.	ABCD
-23	24945	Elbow, Pump Outlet, 1/8 NPT x 5/16 Tube	1	ABC
-24	A50329	Tube Assembly, Side Pump to Cross	1	B
	A50330	Tube Assembly, Side Pump to Carburetor	1	ABC
	627728	@Tube Assembly, Pump to Carburetor	1	C
-25	21619	Elbow, Side Pump Inlet, 1/8 NPT x 1/4 Tube	1	ABC

NOTE (*) For Champion Lancer use Fuel Pump No. 631391.

NOTE (@) Install on engines using Marvel-Schebler Carburetors, Part No. 10-4252.

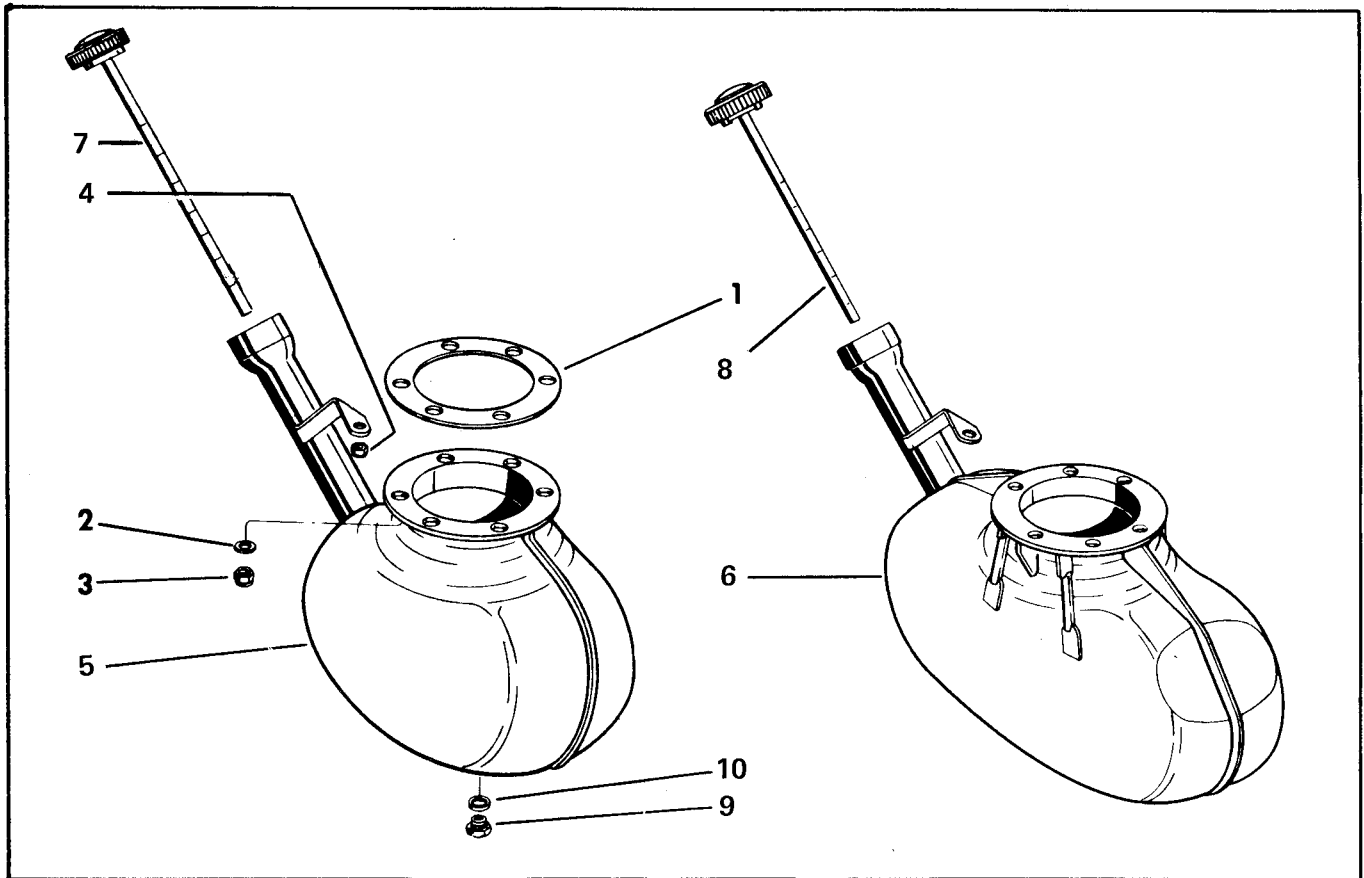


FIGURE 19. OIL SUMP ASSEMBLIES

FIG. & INDEX	PART NUMBER	DESCRIPTION	QTY.	USABLE ON CODE
19- 1	3577	\$ Gasket, Oil Sump	1	ALL
	See Note	Sump Assembly Complete, Oil	Opt.	ALL
ATTACHING PARTS				
-2	20522	Washer, Plain	6	ALL
-3	22661	Nut, Elastic Stop	6	ALL
-4	21213	Nut, Elastic Stop	1	ALL
* * * *				
-5	No Number	. Sump Assembly, Oil	NS	ABC
-6	No Number	* . Sump Assembly, Oil	NS	ABCD
-7	No Number	** . Oil Gauge and Cap Assembly	Opt.	ALL
-8	No Number	** . Oil Gauge and Cap Assembly	Opt.	ALL
-9	532432	. Plug, Hex Drilled Head	1	ALL
-10	AN900-10	. Gasket, Copper Asbestos	1	ALL

NOTE (*) All -12, -14, -16 and O-200 Models.

NOTE (**) If part number is not stamped on dipstick, supply engine model, airplane model and year.

NOTE: To obtain correct replacement oil sump, order same part number stamped on upper surface of original sump mount flange. Also, give engine application.

SECTION III OVERSIZE AND UNDERSIZE PARTS LIST

PART NO.	NAME	OVERSIZE	PART NO.	NAME	OVERSIZE
20994P003	Stud	.003" OS on PD	401804P012	Stud	.012" OS on PD
20994P006	Stud	.006" OS on PD			
20994P009	Stud	.009" OS on PD	401805P003	Stud	.003" OS on PD
			401805P007	Stud	.007" OS on PD
21075P003	Stud	.003" OS on PD	401805P012	Stud	.012" OS on PD
21075P006	Stud	.006" OS on PD			
21075P009	Stud	.009" OS on PD	401806P003	Stud	.003" OS on PD
			401806P007	Stud	.007" OS on PD
21153P005	Shaft	.005" OS on OD	401806P012	Stud	.012" OS on PD
22949P005	Bushing	.005" OS on OD	401809P003	Stud	.003" OS on PD
22949P020	Bushing	.020" OS on OD	401809P007	Stud	.007" OS on PD
			401809P012	Stud	.012" OS on PD
24024P005	Guide	.005" OS on OD			
24024P010	Guide	.010" OS on OD	401824P003	Stud	.003" OS on PD
24024P020	Guide	.020" OS on OD	401824P007	Stud	.007" OS on PD
			401824P012	Stud	.012" OS on PD
24047P005	Guide	.005" OS on OD			
24047P010	Guide	.010" OS on OD	401870P003	Stud	.003" OS on PD
24047P020	Guide	.020" OS on OD	401870P007	Stud	.007" OS on PD
			401870P012	Stud	.012" OS on PD
25030P003	Stud	.003" OS on PD			
25030P006	Stud	.006" OS on PD	401874P003	Stud	.003" OS on PD
25030P009	Stud	.009" OS on PD	401874P007	Stud	.007" OS on PD
			401874P012	Stud	.012" OS on PD
25329P003	Stud	.003" OS on PD			
25329P006	Stud	.006" OS on PD	401881P003	Stud	.003" OS on PD
25329P009	Stud	.009" OS on PD	401881P007	Stud	.007" OS on PD
			401881P012	Stud	.012" OS on PD
25330P003	Stud	.003" OS on PD			
25330P006	Stud	.006" OS on PD	401954P003	Stud	.003" OS on PD
25330P009	Stud	.009" OS on PD	401954P007	Stud	.007" OS on PD
			401954P012	Stud	.012" OS on PD
35897M010	Insert	.010" US on ID			
			401963P003	Stud	.003" OS on PD
3923P002	Insert	.002" OS on OD	401963P007	Stud	.007" OS on PD
3923P010	Insert	.010" OS on OD	401963P012	Stud	.012" OS on PD
3923P020	Insert	.020" OS on OD			
3923P030	Insert	.030" OS on OD	401971P003	Stud	.003" OS on PD
			401971P007	Stud	.007" OS on PD
401801P003	Stud	.003" OS on PD	401971P012	Stud	.012" OS on PD
401801P007	Stud	.007" OS on PD			
401801P012	Stud	.012" OS on PD	401975P003	Stud	.003" OS on PD
			401975P007	Stud	.007" OS on PD
401804P003	Stud	.003" OS on PD	401975P012	Stud	.012" OS on PD
401804P007	Stud	.007" OS on PD			

PART NO.	NAME	OVERSIZE	PART NO.	NAME	OVERSIZE
401977P003	Stud	.003" OS on PD	530348P001	Piston	.001" OS on OD
401977P007	Stud	.007" OS on PD	530348P002	Piston	.002" OS on OD
401977P012	Stud	.012" OS on PD	530348P015	Piston	.015" OS on OD
402032P003	Stud	.003" OS on PD	531076P020	Camshaft	.020" OS on OD
402032P007	Stud	.007" OS on PD	531146P020	Camshaft	.020" OS on OD
402032P012	Stud	.012" OS on PD	626608P020	Camshaft	.020" OS on OD
402044P003	Stud	.003" OS on PD	627246A1M010	Bearing Set	.010" US on ID
402044P007	Stud	.007" OS on PD	628309P005	Guide	.005" OS on OD
402044P012	Stud	.012" OS on PD	628309P010	Guide	.010" OS on OD
402045P003	Stud	.003" OS on PD	628309P020	Guide	.020" OS on OD
402045P007	Stud	.007" OS on PD	630651P005	Dowel	.005" OS on OD
402045P012	Stud	.012" OS on PD	633398M010	Bearing	.010" US on ID
402047P003	Stud	.003" OS on PD	633399M010	Bearing	.010" US on ID
402047P007	Stud	.007" OS on PD	638109A1P005	Ring Set	.005" OS on OD
402047P012	Stud	.012" OS on PD	638109A1P015	Ring Set	.015" OS on OD
402048P003	Stud	.003" OS on PD	638109P005	Ring	.005" OS on OD
402048P007	Stud	.007" OS on PD	638109P015	Ring	.015" OS on OD
402048P012	Stud	.012" OS on PD	638110P005	Ring	.005" OS on OD
402049P003	Stud	.003" OS on PD	638110P015	Ring	.015" OS on OD
402049P007	Stud	.007" OS on PD	638111P005	Ring	.005" OS on OD
402049P012	Stud	.012" OS on PD	638111P015	Ring	.015" OS on OD
402131P003	Stud	.003" OS on PD	641793P002	Insert	.002" OS on OD
402131P007	Stud	.007" OS on PD	641793P005	Insert	.005" OS on OD
402131P012	Stud	.012" OS on PD	641793P010	Insert	.010" OS on OD
402151P003	Stud	.003" OS on PD	641793P015	Insert	.015" OS on OD
402151P007	Stud	.007" OS on PD	641793P020	Insert	.020" OS on OD
402151P012	Stud	.012" OS on PD	641793P030	Insert	.030" OS on OD
402711P003	Stud	.003" OS on PD			
402711P007	Stud	.007" OS on PD			
402711P012	Stud	.012" OS on PD			
40327P015	Piston	.015" OS on OD			
40584P020	Camshaft	.020" OS on OD			
530058A1M010	Bearing Set	.010" US on ID			
530058A2M010	Bearing Set	.010" US on ID			
530058A3M010	Bearing Set	.010" US on ID			
530058M010	Bearing	.010" US on ID			

SECTION IV REPAIR PARTS SETS AND MATERIALS

PART NUMBER	DESCRIPTION	SIZE
642188	Gasket Paste - TiteSeal (lightweight)	1 oz.tube
24890A2	Gasket and Rubber Connector Set(for - 12 Models and O-200). . .	—
24890A4	Gasket and Rubber Connector Set (for - 8 Models)	—
530058A1	Bearing Set(C75, C85, C90 With Dowel on Thrust Washer)	Standard
530058A1MO10	Bearing Set.010" Undersize
530058A2	Bearing Set (For Crankcases with Dowels Installed in Front Bearing Boss C75, C85, C90)	Standard
530058A2MO10	Bearing Set.010" Undersize
530058A3	Bearing and Thrust Washer Set (Main) O-200 With 633141 Thrust Washer	Standard
530058A3MO10	Bearing and Thrust Washer Set.010" Undersize
627246A1	Bearing Set (Main) With Flanged Thrust Bearing (for O-200) . . .	Standard
627246A1MO10	Bearing Set.010" Undersize
638109A1	Ring Set-Complete Piston (for all C75,C85,C90 & O-200 Models)	Standard
638109A1P005	Ring Set005" Oversize
638109A1P010	Ring Set010" Oversize
638109A1P015	Ring Set015" Oversize
639721	* Ring Set	Standard
626531-1	Enamel - Gold.	1 Quart
626531-2	Enamel - Gold.	1 Gallon

NOTE * Chrome Plate

This page intentionally left blank.

SECTION V NUMERICAL PARTS LIST

PART NUMBER	FIGURE & INDEX	QTY PER ASSY	PART NUMBER	FIGURE & INDEX	QTY PER ASSY
AN123864	14-11	1	MS35338-45	3-07	2
AN392-11	4-21	1		3-19	3
AN4-11A	2-04	10		3-37	1
AN4022-1	12-18	1		10-03	7
AN500A10-6	18-14	2		11-03	10
AN501A10-5	12-37	2		14-04	5
AN502-10-8	8-16	6		15-03	4
AN805-2	12-20	1		16-03	4
AN842-10	3-03	1		17-04	
AN900-10	1-20	2	MS9088-08	8-16	6
	10-25	1	MS9134-01	3-43	1
	10-35	1	X2235	3-30	1
	11-23	1	20087	15-19	4
	11-24	1	2024	1-22	1
	17-10	1		12-17	1
	19-10	1		17-07	1
AN900-14	10-33	1	2025	10-13	1
	11-19	1	20288	17-06	2
AN900-28	10-23	1	20522	2-03	22
	11-21	1		2-09	3
AN911-1	18-18	1		2-09	1
AN918-1D	18-19	1		3-11	12
AN960-516L	2-8	1		3-33	3
	2-13	2		10-17	4
A21599	8-	8		10-21	1
A22301	10-36	1		10-29	3
	11-25	1		11-11	4
A24197	18-17	2		12-10	8
A24706	18-20	1		12-23	4
A25277	15-	2		15-47	2
A35160A2	6-	4		18-02	4
A3568	10-24	1		19-02	6
	11-22	1	20720	12-19	1
A35917	12-36	1	20994	1-11	2
A3746	4-	1	21007	2-21	6
A40522	12-27	1		9-27	1
A40793	12-27	1	21051	12-21	1
A4587	11-	1	21075	1-16	1
A50256	12-31	1	21080	1-23	2
A50329	18-24	1	21082	15-39	
A50330	18-	1	21113	10-34	1
A50495	12-31	1		11-20	1
EQ5334	17-	Opt.	21114	11-17	1
MS24665-155	12-04	2	2114	10-31	1
MS35338-44	3-12	12	21153	9-28	1
	3-34	3	21160	11-10	1
	3-46	4	21182	12-13	4
	9-32	6	21185	12-14	8
	12-11	8	21202	4-19	1
	12-24	4	21203	4-20	1
	12-30	4			

PART NUMBER	FIGURE & INDEX	QTY PER ASSY
21208	11-14	1
21213	14-09	3
	19-04	1
21218	2-10	1
21264	15-32	
	15-50	2
21284	9-14	2
21323	12-26	1
21343	11-09	1
21346	4-10	4
	5-12	4
	8-12	4
21361	9-24	4
21459	15-29	2
21468	4-15	6
21477	9-01	4
21493	9-04	4
21530	3-24	4
21608	8-01	1
21619	18-25	1
22022	9-05	8
22030	8-14	
22031	8-15	
22131	17-13	1
22250	12-07	4
22344	3-16	1
	17-02	
22350	10-19	1
22354	10-14	1
22355	10-15	1
22387	3-23	8
22493	15-45	2
22495	15-48	6
22532	4-10	4
22532	5-12	4
22534	8-11	4
22537	10-18	4
	11-12	4
22661	10-30	3
	19-03	6
22800	12-15	8
22949	9-34	
2306	15-44	4
23166	18-12	2
23410	10-16	1
23487	3-21	1
24024	9-10	1
24026	9-18	1
24027	9-23	2
24029	9-21	2
24031	9-20	2
24044	9-19	1

PART NUMBER	FIGURE & INDEX	QTY PER ASSY
24047	9-11	1
24122	9-26	1
24251	2-04	10
24252	2-14	2
24306	12-33	4
24308	12-34	4
24321	4-11	1
2437	2-05	12
	2-12	2
	3-13	12
	3-35	3
	3-47	4
	12-12	8
	12-25	4
	12-29	4
2439	3-08	2
	3-20	3
	3-38	1
	10-04	7
	10-22	1
	11-04	10
	14-06	3
	15-04	4
	16-04	4
	17-05	
2441	2-16	1
	17-15	3
2443	2-19	2
24434	18-06	1
2456	11-13	4
2458	4-17	6
	12-03	2
	18-03	4
2471	12-38	2
	18-10	2
	18-13	2
2472	3-45	4
24724	14-03	2
2473	3-06	2
	3-18	3
	3-36	1
	10-02	7
	11-02	10
	14-05	5
	14-08	3
	17-03	
	18-09	2
2474	4-16	6
	17-14	3
2475	2-18	2
24768	5-17	6
24769	5-02	6

PART NUMBER	FIGURE & INDEX	QTY PER ASSY
24770	5-03	1
24804	6-04	2
24878	2-11	1
24879	2-06	1
24915	18-08	1
24945	18-23	1
24946	18-21	1
24947	18-15	4
2500	4-22	1
2501	14-19	1
25030	1-15	2
2506	4-18	6
25102	3-42	1
25145	15-49	2
25164	2-07	2
25301	15-17	
25302	15-18	4
25305	15-20	1
	15-40	1
25314	15-08	1
25315	15-09	2
25316	15-10	1
25317	15-11	1
25318	15-12	1
25320	15-16	8
	15-38	4
25321	15-15	8
	15-37	
25339	1-17	4
25330	1-18	2
25338	15-22	4
25369	6-02	1
25387	15-23	4
	15-43	
25388	15-42	4
2557	12-03	2
2848	17-09	1
2849	17-08	1
35016	4-09	1
35016	5-11	1
35018	10-28	1
35019	10-26	1
	14-07	1
35020	10-20	1
35033	3-17	1
3506	8-09	1
35145A1	12-	1
352030	13-16	1
	14-14	1
352068	14-12	1
352179	14-01	1
3562	11-08	1
3577	19-01	1

PART NUMBER	FIGURE & INDEX	QTY PER ASSY
35798	18-16	1
35897	4-07	8
	5-08	8
35923	12-35	1
35956	5-14	1
36066	15-06	1
36067	15-07	1
36104	18-11	1
36151N	12-16	16
3660	8-13	1
36606	16-06	2
3745	4-13	1
3923	9-08	1
3991	4-14	1
	5-15	1
401506	15-02	4
	16-02	4
401507	2-15	1
	5-16	6
401801	10-07	1
	10-09	2
401804	1-05	12
	1-09	3
	10-10	1
	10-11	3
	11-06	3
401805	18-01	4
401806	12-06	4
401809	1-07	3
	1-12	10
401824	11-07	4
401870	1-19	3
	9-13	2
401874	1-16	1
401881	1-15	2
401954	1-11	2
401963	3-40	4
401971	10-12	3
401975	10-06	4
401977	1-11	2
402032	1-11	2
402044	10-08	2
402045	18-05	2
402047	1-13	5
402048	1-08	1
402049	1-14	2
	1-14	3
402131	10-06	4
402151	1-06	2
	1-10	1
	9-12	2
40246	12-08	2

PART NUMBER	FIGURE & INDEX	QTY PER ASSY
40247	12-09	2
402711	12-28	4
40327	7-01	1
40452	18-07	1
40584	8-05	1
40585	18-22	
40599	12-39	1
40762	9-30	1
40794	15-21	1
	15-41	1
4577	11-01	1
4763	17-01	1
500400	4-12	1
50207A1	18-	
50309	14-02	1
50483	15-05	2
520112	9-09	2
530019	5-13	1
530058	4-04	2
	5-05	2
530059	15-30	4
530061	15-13	1
530061A2	15-	1
530062	15-14	1
530162	9-29	1
530163	3-10	4
530182	5-	1
530184A2	6-	4
530192	6-02	1
530196A1	4-	1
530199	5-	1
530209	15-05	2
530213	6-03	2
530264	17-12	1
530348	7-02	1
530375	15-13	1
530375A1	15-	1
530376	15-14	1
530398	4-02	1
530406	13-14	1
	14-13	1
530407	13-15	1
	14-16	1
530412	13-19	1
	14-18	1
530535	8-10	1
530626	3-27	8
530627	3-26	4
530641	4-09	1
	5-10	1
530642	3-04	1
530700A1	15-	1
530740	3-28	8
530741	3-29	8

PART NUMBER	FIGURE & INDEX	QTY PER ASSY
530830	7-06	1
530851	8-01	1
530872	8-	8
530873	8-01	1
530886	15-31	2
530886	15-46	2
530928	3-09	4
530940	8-04	1
531001	9-03	16
531003	9-02	8
531076	8-05	1
531146	8-06	1
531325	13-18	1
	14-17	1
532148	15-25	4
532149	15-26	4
532151	15-27	4
532151A1	15-24	4
532432	1-21	1
	17-11	1
	19-09	1
533965	3-05	1
534111	14-10	1
534112	14-20	1
534208	14-	1
534471	9-31	6
534742	3-41	1
534750	16-01	2
535091	9-33	6
535324	15-01	2
536388-1.25	3-15	16
537870	8-08	8
538556	12-01	2
	12-02	2
538999	14-03	2
539840	3-14	8
5484	10-01	1
625935	3-	1
625937	3-	1
625957	9-20	
625958	9-22	2
625961	9-23	
626543	14-15	2
626608	8-07	1
626983	3-32	1
627198	1-	1
627275	2-17	2
627307A7	10-	1
627358A2	1-	1
627359A2	1-	1
627360A2	1-	1
627361	12-	1
627366	12-22	1
627367	12-22	1

PART NUMBER	FIGURE & INDEX	QTY PER ASSY
627429	9-04	
627667A1	15-	1
627728	18-	1
627756	15-34	2
627759	15-33	2
628195A1	1-	1
628309	9-11	
628555-16	3-25	4
628986	15-28	4
629404	9-17	1
629518-1H	1-22	1
	9-15	
630651	4-08	1
	5-09	1
630966-3.31	13-12	2
631391	18-22	
631639	9-17	
632050	13-17	2
632085	11-16	1
632501	15-35	8
632503	15-35	8
632503	16-32	8
633028	12-22	1
633122	16-05	2
633141	4-03	4
	5-04	4
633163	16-	1
633398	4-05	2
	5-06	2
633399	4-06	2
	5-07	2
633581	16-22	1
633582	16-21	1
633583	16-14	1
	16-20	1
633584	16-19	1
633585	16-11	1
	16-17	1
633586	16-12	1
	16-18	1
633609-8	3-21B	1
633661	13-13	1
633924	16-28	2
633925	16-27	4
633926	16-31	11
633927	16-29	2
633928	16-30	2
634337	16-16	1
634338	16-13	1
634339	16-15	1
634342	16-23	1
	16-24	1
	16-25	1
	16-26	1

PART NUMBER	FIGURE & INDEX	QTY PER ASSY
634343	16-07	1
	16-08	1
	16-09	1
	16-10	1
634461	3-21A	1
634464	13-11	1
634875	2-20	1
634876	2-20	1
634880	2-20	1
634881	2-20	1
634882	2-20	1
634883	2-20	1
634943	2-20	1
637083	10-32	1
	11-18	1
637268	8-03	1
637269	8-02	1
637270	8-	8
637832	3-22	2
638109	7-03	1
638110	7-04	2
638111	7-05	1
639292	6-05	8
	13-20	1
639297	13-	1
639298	13-	1
639418-4	1-04	8
639614	9-	1
639615	9-	1
639788	13-08	2
639789	13-06	1
639970	13-04	1
640017-3	1-03	8
640033	13-05	2
640036	13-09	1
640087	10-27	1
	11-15	1
640174	13-10	1
640380	3-44	1
641497	13-02	1
641498	13-07	1
641499	13-03	1
641500	13-01	1
641792	9-16	1
641793	9-07	1
641916	9-06	1
641916A1	9-	1
641917	9-06	
641917A1	9-	
6726A1	10-	1

This page intentionally left blank.

SECTION VI

CUSTOMERS SPECIFICATIONS

.....

The following pages contain, in tabulated form, the various customer specifications of the basic O-200A aircraft engines.

In some instances, certain accessories are furnished by the aircraft manufacturer. If an accessory on the engine does not appear on the customer spec, determine whether it is available from the aircraft manufacturer.

This page intentionally left blank.

CONTINENTAL MODEL O-200 A
(SPECIFICATIONS NOT SHOWN SAME AS BASIC ENGINE)

Spec. Number	Intake Assembly Carburetor Air	Generator Drive Equipment	Cover Vacuum Pump Pad	Studding Asm. Crankcase	Plate Moisture Impervious	Flange Propeller Hub	Flange Exhaust	Camshaft	Oil Sump	Oil Gauge Rod & Cap Asm.	Generator	Regulator	Elbow Assembly, C/C Breather	Gear & Eccentric	Magneto	Harness Assembly	Alternator	Adapter Asm. Starter Jack Shaft	Gear & Clutch Assembly	Starter	
1	628121																				
2	628121																				
9	628121	EQ5820																			
10			628018	628422 A1	35956	3991	21492	628421	A50352	633233 -19											
12			628018	628422 A1	35956	3991	21492	628421	A50352	633233 -19											
14	628121										536035	627322									
23				628422 A1							536035	627322	633182	630403							
24			628018	628422 A1			21492	628421	A50352	633233 -19											
26			628018	628422 A1			21492	628421	A50352	633233 -19											
30			628018	628422 A1	35956	3991	21492	628421	A50352	633233 -19											
36				627201 A1							536035	627322			633401	633914	633915				
38	628121	EQ5820													633401	633914	633915				
42	628121														633401	633914	633915	633661			
47															633401	633914	633915	633661			
48	628121														633401	633914	633915	633661	634461	641500	634464
52										653233 -21	536035				633401	633914	633915				
54G															633401	633914	633915	633661	634461	641500	634464
57				628422 A1										630403	633401	633914	633915	640622	634461	641500	

This page intentionally left blank.

SECTION VII

0200-B BASIC AND CUSTOMERS SPECIFICATIONS

The following pages contain, in tabulated form, the various customer specifications of the basic O-200-B aircraft engines.

In some instances, certain accessories are furnished by the aircraft manufacturer. If an accessory on the engine does not appear on the customer spec, determine whether it is available from the aircraft manufacturer.

This page intentionally left blank.

This page intentionally left blank.